



VANTAGE

Architectural Hardware



INDEX

LEVER HANDLE

1-19

1.1 Hollow Lever Handle

1.2 Solid Lever Handle

1.3 Lever Handle With Back plate

1.3.1 Lever Handle With Back Plate And Indicator For Privacy Function

1.4 Knobs

1.5 Bathroom Indicator

1.6 Rose And Escutcheon

PULL & PUSH HANDLE

20-29

2.1 Back To Back Pull Handle

2.2 Pull Handle With Back Plate

2.2.1 Push Plate

2.3 Flush Round Pull Handle

2.4 Flush Square Pull Handle

2.5 Flush Oval Pull Handle

2.6 Flush Round Pull Handle With Plate

LOCKS AND CYLINDERS

30-41

3.1 Locks

3.2 Cylinders

3.3 Master Key System 3 Levels

INDEX

HINGES	42-50
4.1 Butt Hinge	
4.2 Security Pin Hinge	
4.3 Rising Hinge	
4.4 Lift Off Hinge	
4.5 Falling Hinge	
4.6 Swing Clear Hinge	
4.7 Single Action Spring Hinge	
4.8 Double Action Spring Hinge	
4.8 Concealed Hinge	
4.9 ANSI Hinges	
CLOSERS AND PANIC DEVICE	51-67
5.1 Surface Mounted Door Closer	
5.2 Concealed Door Closer	
5.3 Door Coordinator	
5.4 Panic Device	
ACCESSORIES	68-76
6.1 Flush Bolts	
6.2 Door Stops	
6.3 Door Eyes	
6.4 Door Guards	
6.5 Door Holders	
6.6 Plates	

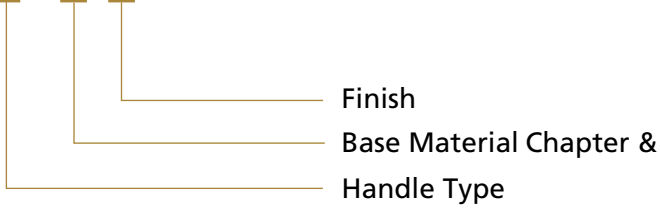
VANTAGE



Lever Handles

Handle Coding Detail:

ABC . G HI



ABC . G HI

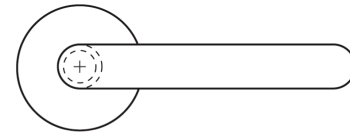
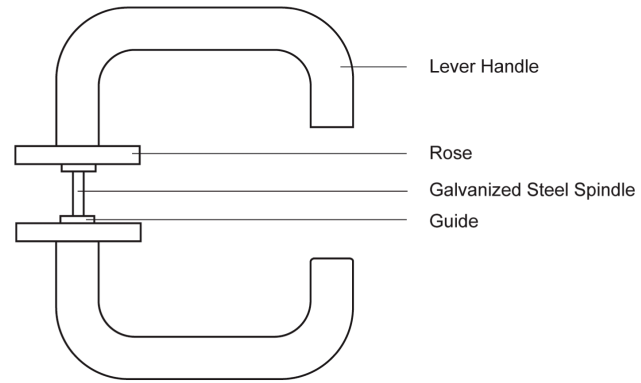
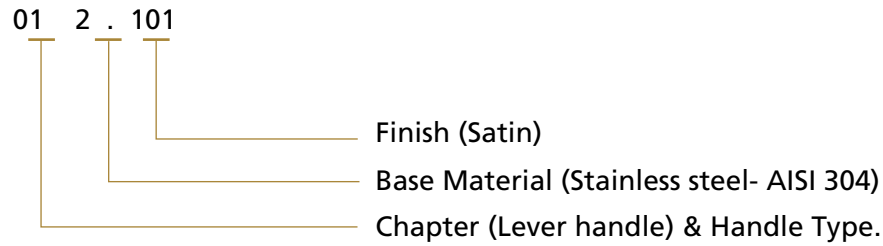
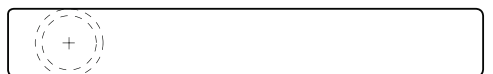
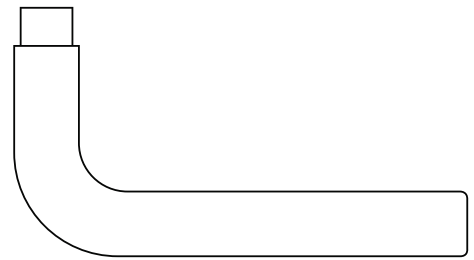


Fig. 01



+ 16 -



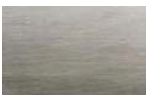
Base Material:

1. Stainless steel- AISI 316
2. Stainless steel- AISI 304

Standard production of all handles is in grade AISI-304 Stainless Steel, however, all models can be produced in grade AISI-316 upon request.

Available Finishes:

01.



Satin

02.



Polished

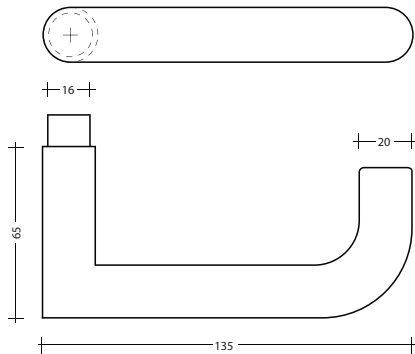
- New coding was introduced in this Edition for ease of reference and ordering.

VANTAGE

Hollow Lever Handles



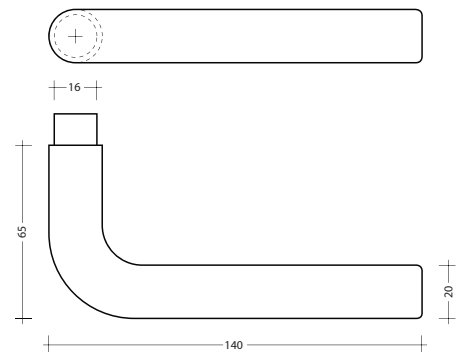
101 **Square Profile:** V2 Spindle 8mm
Base Material: Stainless Steel AISI 304.
Guide: 16 mm in Brass.
Finish: SSS, PSS



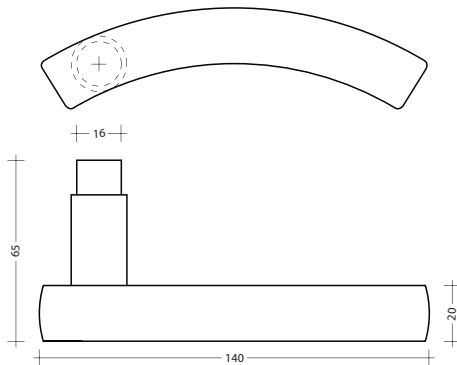
Formerly: 101.107.201



102 **Square Profile:** V2 Spindle 8mm
Base Material: Stainless Steel AISI 304.
Guide: 16 mm in Brass.
Finish: SSS, PSS



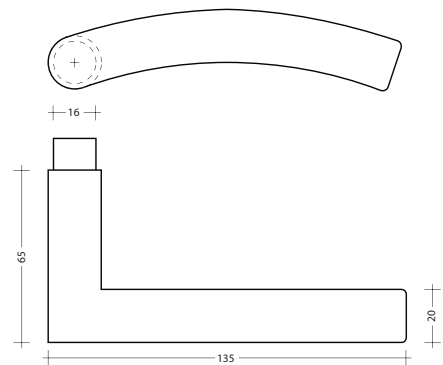
103 **Square Profile:** V2 Spindle 8mm
Base Material: Stainless Steel AISI 304.
Guide: 16 mm in Brass.
Finish: SSS, PSS



Formerly: 103.101.201



104 **Square Profile:** V2 Spindle 8mm
Base Material: Stainless Steel AISI 304.
Guide: 16 mm in Brass.
Finish: SSS, PSS

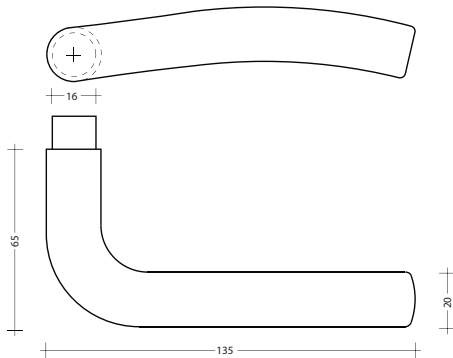


VANTAGE

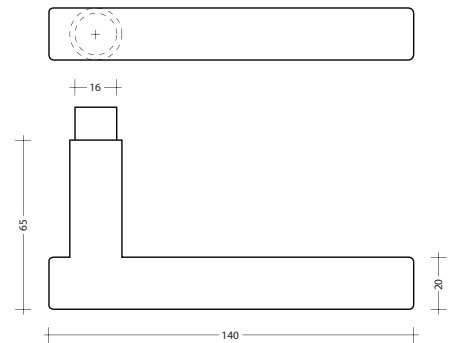
Hollow Lever Handles



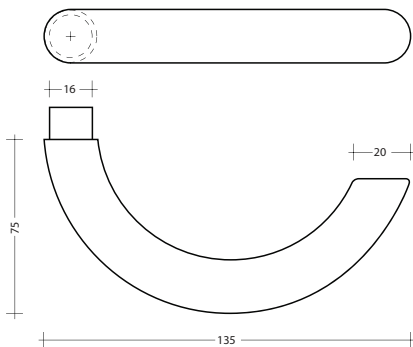
105 **Square Profile:** V2 Spindle 8mm
Base Material: Stainless Steel AISI 304.
Guide: 16 mm in Brass.
Finish: SSS, PSS



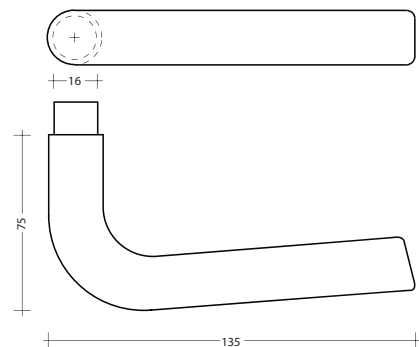
106 **Square Profile:** V2 Spindle 8mm
Base Material: Stainless Steel AISI 304.
Guide: 16 mm in Brass.
Finish: SSS, PSS



107 **Square Profile:** V2 Spindle 8mm
Base Material: Stainless Steel AISI 304.
Guide: 16 mm in Brass.
Finish: SSS, PSS



108 **Square Profile:** V2 Spindle 8mm
Base Material: Stainless Steel AISI 304.
Guide: 16 mm in Brass.
Finish: SSS, PSS

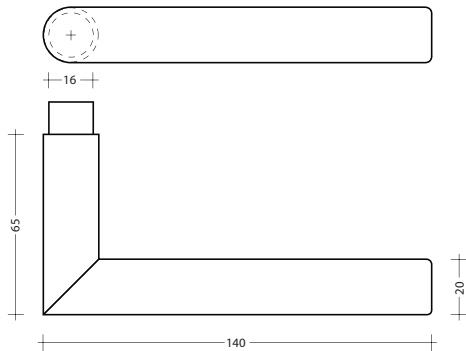


VANTAGE

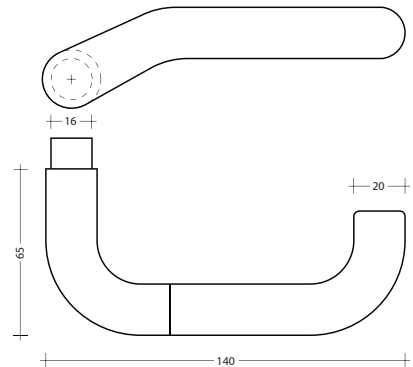
Hollow Lever Handles



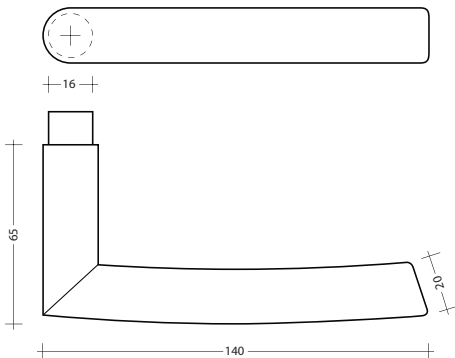
109 **Square Profile:** V2 Spindle 8mm
Base Material: Stainless Steel AISI 304.
Guide: 16 mm in Brass.
Finish: SSS, PSS



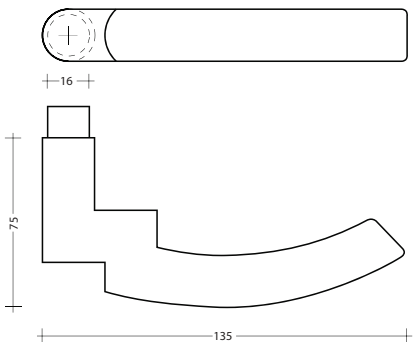
110 **Square Profile:** V2 Spindle 8mm
Base Material: Stainless Steel AISI 304.
Guide: 16 mm in Brass.
Finish: SSS, PSS



111 **Square Profile:** V2 Spindle 8mm
Base Material: Stainless Steel AISI 304.
Guide: 16 mm in Brass.
Finish: SSS, PSS



112 **Square Profile:** V2 Spindle 8mm
Base Material: Stainless Steel AISI 304.
Guide: 16 mm in Brass.
Finish: SSS, PSS

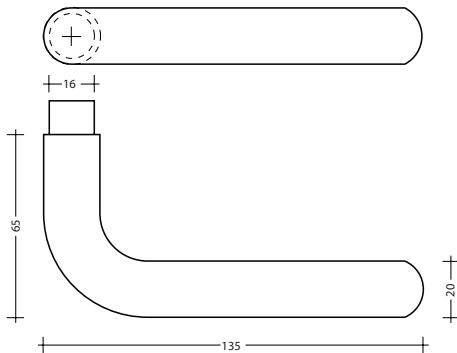


VANTAGE

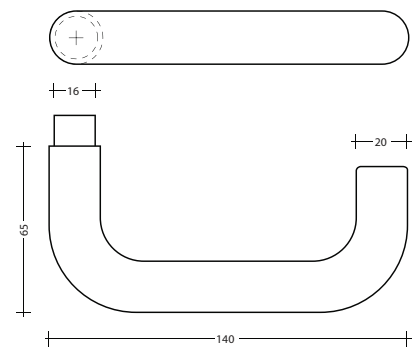
Hollow Lever Handles



113 **Square Profile:** V2 Spindle 8mm
Base Material: Stainless Steel AISI 304.
Guide: 16 mm in Brass.
Finish: SSS, PSS



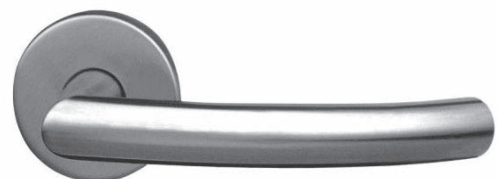
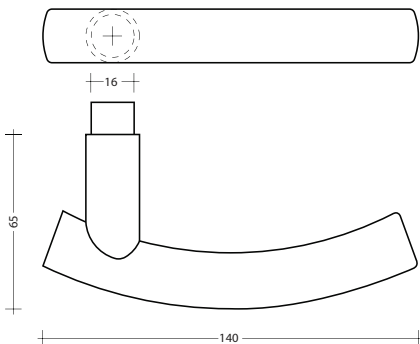
114 **Square Profile:** V2 Spindle 8mm
Base Material: Stainless Steel AISI 304.
Guide: 16 mm in Brass.
Finish: SSS, PSS



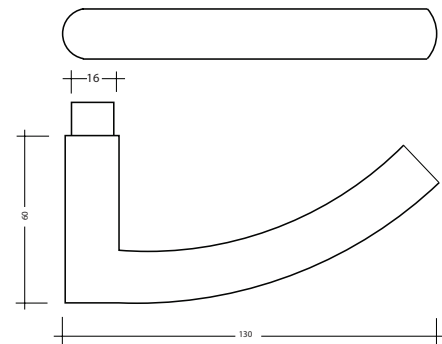
Formerly: 114.106.201



115 **Square Profile:** V2 Spindle 8mm
Base Material: Stainless Steel AISI 304.
Guide: 16 mm in Brass.
Finish: SSS, PSS



116 **Square Profile:** V2 Spindle 8mm
Base Material: Stainless Steel AISI 304.
Guide: 16 mm in Brass.
Finish: SSS, PSS

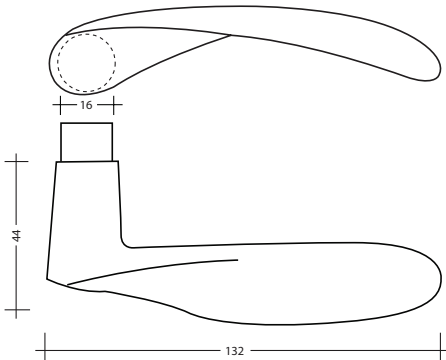


VANTAGE

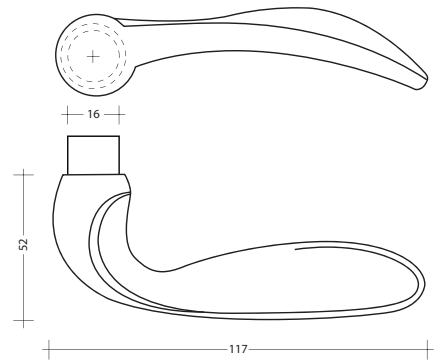
Solid Lever Handles



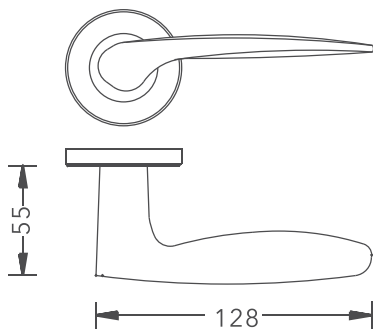
131 **Square Profile:** V2 Spindle 8mm
Base Material: Stainless Steel AISI 304.
Guide: 16 mm in Brass.
Finish: SSS, PSS



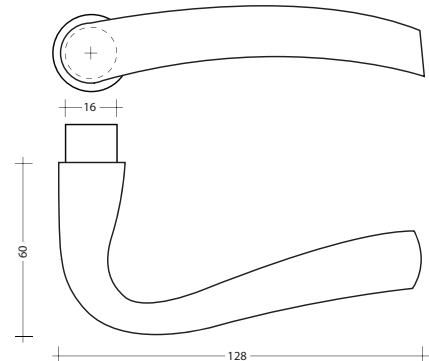
132 **Square Profile:** V2 Spindle 8mm
Base Material: Stainless Steel AISI 304.
Guide: 16 mm in Brass.
Finish: SSS, PSS



133 **Square Profile:** V2 Spindle 8mm
Base Material: Stainless Steel AISI 304.
Guide: 16 mm in Brass.
Finish: SSS, PSS



134 **Square Profile:** V2 Spindle 8mm
Base Material: Stainless Steel AISI 304.
Guide: 16 mm in Brass.
Finish: SSS, PSS

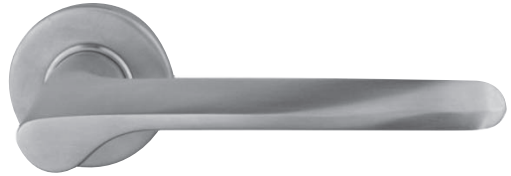
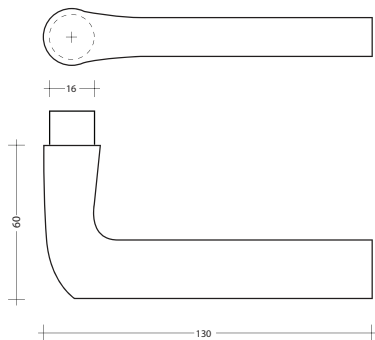


VANTAGE

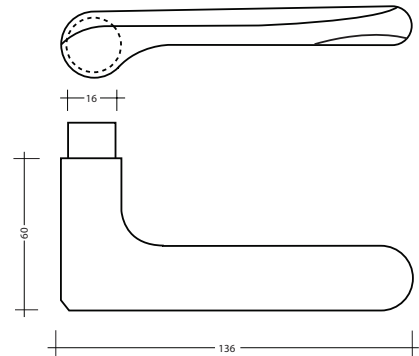
Solid Lever Handles



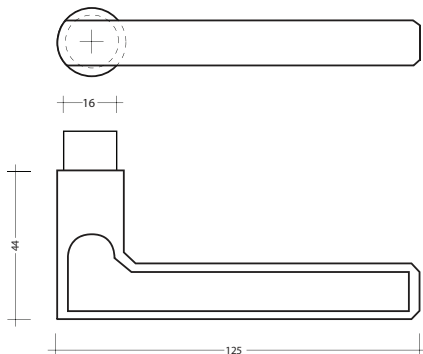
135 **Square Profile:** V2 Spindle 8mm
Base Material: Stainless Steel AISI 304.
Guide: 16 mm in Brass.
Finish: SSS, PSS



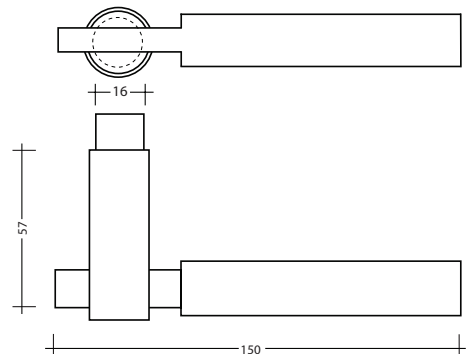
136 **Square Profile:** V2 Spindle 8mm
Base Material: Stainless Steel AISI 304.
Guide: 16 mm in Brass.
Finish: SSS, PSS



137 **Square Profile:** V2 Spindle 8mm
Base Material: Stainless Steel AISI 304.
Guide: 16 mm in Brass.
Finish: SSS, PSS



138 **Square Profile:** V2 Spindle 8mm
Base Material: Stainless Steel AISI 304.
Guide: 16 mm in Brass.
Finish: SSS, PSS

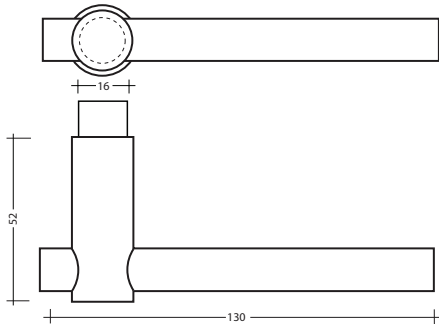


VANTAGE

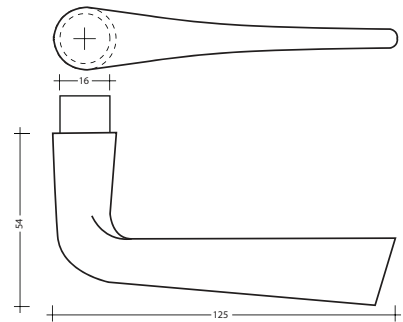
Solid Lever Handles



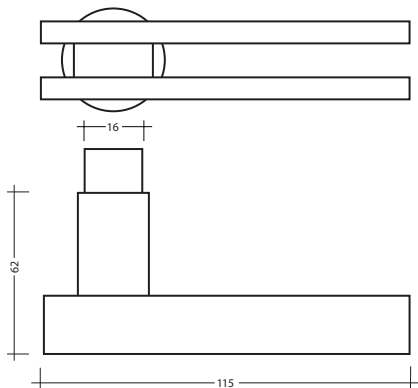
139 **Square Profile:** V2 Spindle 8mm
Base Material: Stainless Steel AISI 304.
Guide: 16 mm in Brass.
Finish: SSS, PSS



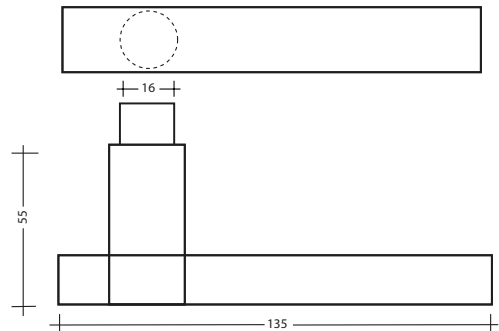
140 **Square Profile:** V2 Spindle 8mm
Base Material: Stainless Steel AISI 304.
Guide: 16 mm in Brass.
Finish: SSS, PSS



141 **Square Profile:** V2 Spindle 8mm
Base Material: Stainless Steel AISI 304.
Guide: 16 mm in Brass.
Finish: SSS, PSS



142 **Square Profile:** V2 Spindle 8mm
Base Material: Stainless Steel AISI 304.
Guide: 16 mm in Brass.
Finish: SSS, PSS

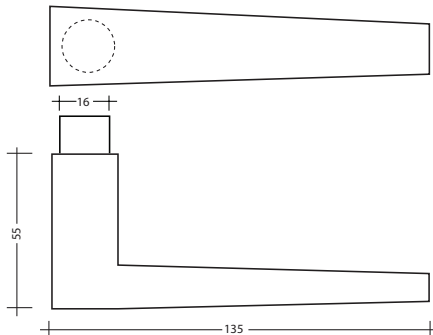


VANTAGE

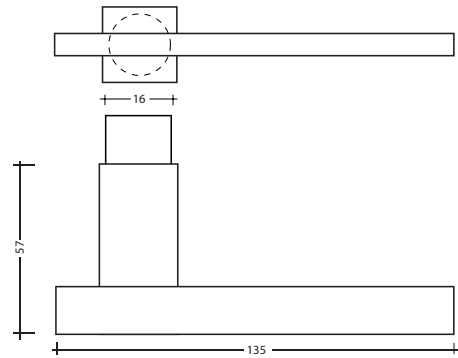
Solid Lever Handles



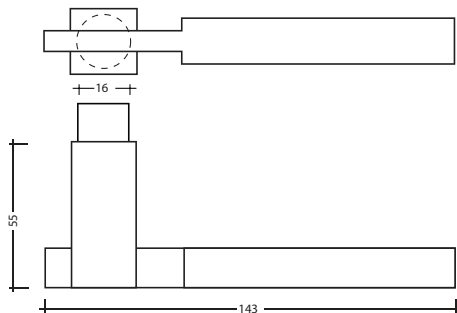
143 **Square Profile:** V2 Spindle 8mm
Base Material: Stainless Steel AISI 304.
Guide: 16 mm in Brass.
Finish: SSS, PSS



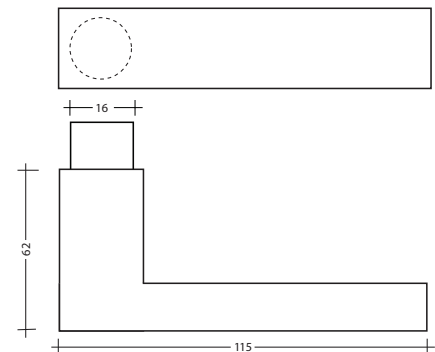
144 **Square Profile:** V2 Spindle 8mm
Base Material: Stainless Steel AISI 304.
Guide: 16 mm in Brass.
Finish: SSS, PSS



145 **Square Profile:** V2 Spindle 8mm
Base Material: Stainless Steel AISI 304.
Guide: 16 mm in Brass.
Finish: SSS, PSS



146 **Square Profile:** V2 Spindle 8mm
Base Material: Stainless Steel AISI 304.
Guide: 16 mm in Brass.
Finish: SSS, PSS

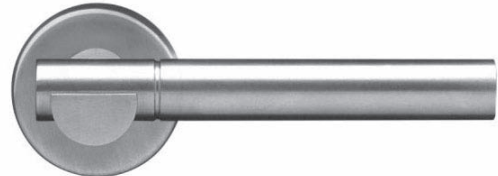
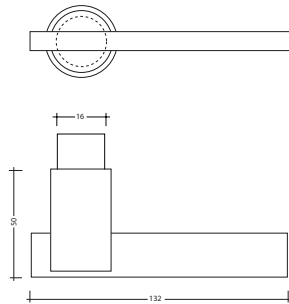


VANTAGE

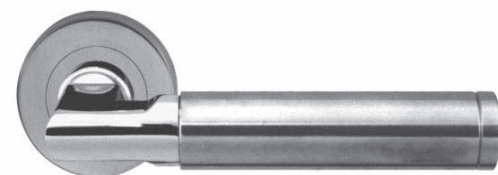
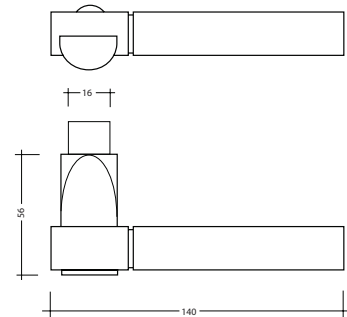
Solid Lever Handles



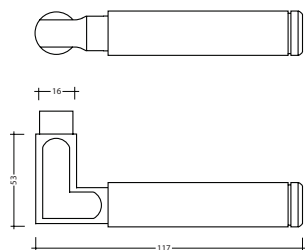
147 **Square Profile:** V2 Spindle 8mm
Base Material: Stainless Steel AISI 304.
Guide: 16 mm in Brass.
Finish: SSS, PSS



148 **Square Profile:** V2 Spindle 8mm
Base Material: Stainless Steel AISI 304.
Guide: 16 mm in Brass.
Finish: SSS, PSS



149 **Square Profile:** V2 Spindle 8mm
Base Material: Stainless Steel AISI 304.
Guide: 16 mm in Brass.
Finish: SSS, PSS

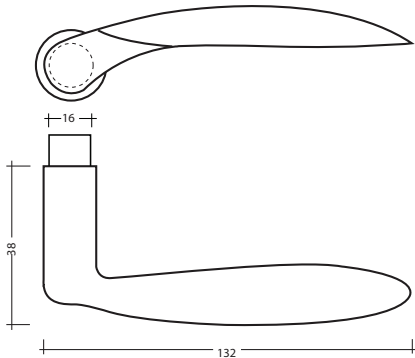


VANTAGE

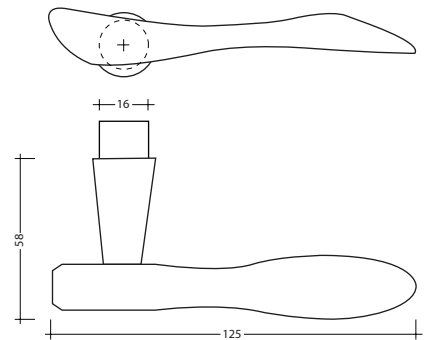
Solid Lever Handles



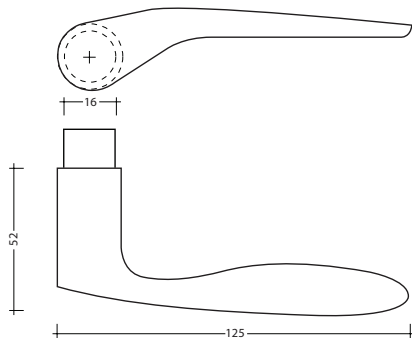
151 **Square Profile:** V2 Spindle 8mm
Base Material: Stainless Steel AISI 304.
Guide: 16 mm in Brass.
Finish: SSS, PSS



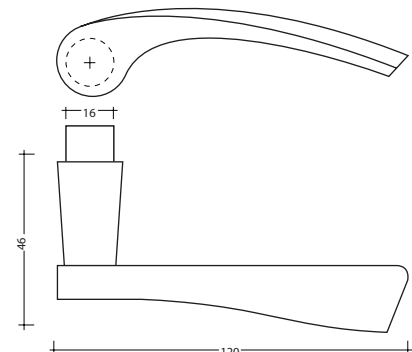
152 **Square Profile:** V2 Spindle 8mm
Base Material: Stainless Steel AISI 304.
Guide: 16 mm in Brass.
Finish: SSS, PSS



153 **Square Profile:** V2 Spindle 8mm
Base Material: Stainless Steel AISI 304.
Guide: 16 mm in Brass.
Finish: SSS, PSS



154 **Square Profile:** V2 Spindle 8mm
Base Material: Stainless Steel AISI 304.
Guide: 16 mm in Brass.
Finish: SSS, PSS

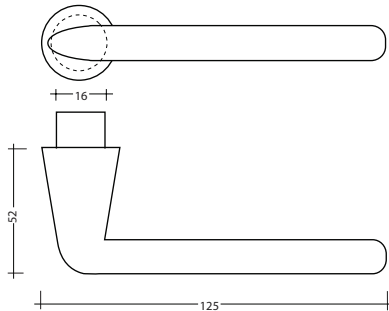


VANTAGE

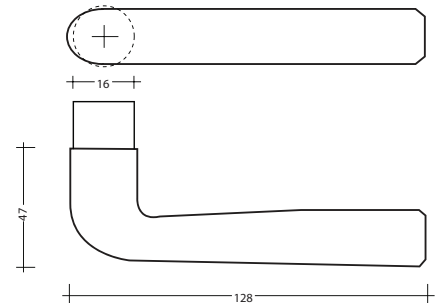
Solid Lever Handles



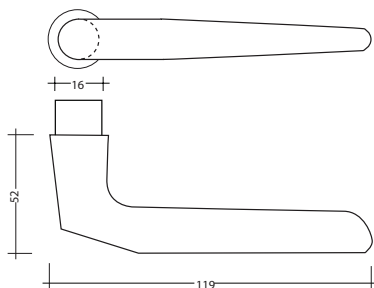
155 **Square Profile:** V2 Spindle 8mm
Base Material: Stainless Steel AISI 304.
Guide: 16 mm in Brass.
Finish: SSS, PSS



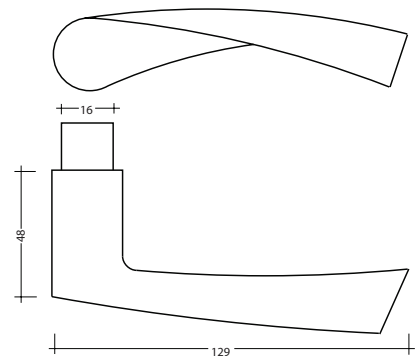
156 **Square Profile:** V2 Spindle 8mm
Base Material: Stainless Steel AISI 304.
Guide: 16 mm in Brass.
Finish: SSS, PSS



157 **Square Profile:** V2 Spindle 8mm
Base Material: Stainless Steel AISI 304.
Guide: 16 mm in Brass.
Finish: SSS, PSS



158 **Square Profile:** V2 Spindle 8mm
Base Material: Stainless Steel AISI 304.
Guide: 16 mm in Brass.
Finish: SSS, PSS

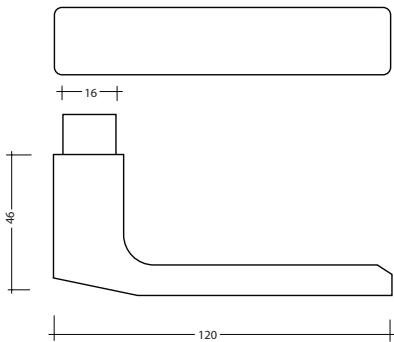


VANTAGE

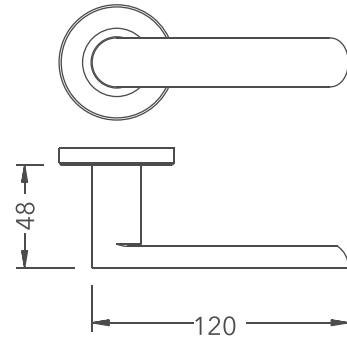
Solid Lever Handles



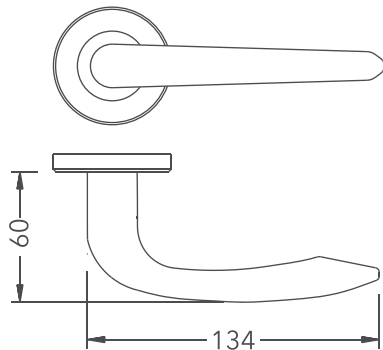
159 **Square Profile:** V2 Spindle 8mm
Base Material: Stainless Steel AISI 304.
Guide: 16 mm in Brass.
Finish: SSS, PSS



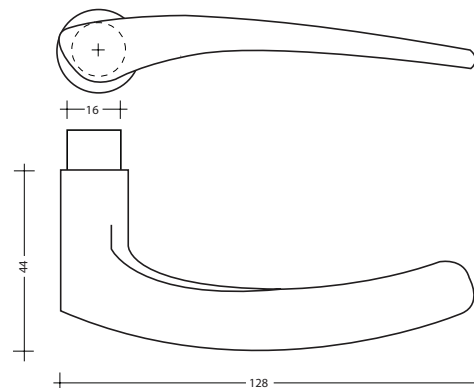
160 **Square Profile:** V2 Spindle 8mm
Base Material: Stainless Steel AISI 304.
Guide: 16 mm in Brass.
Finish: SSS, PSS



161 **Square Profile:** V2 Spindle 8mm
Base Material: Stainless Steel AISI 304.
Guide: 16 mm in Brass.
Finish: SSS, PSS



162 **Square Profile:** V2 Spindle 8mm
Base Material: Stainless Steel AISI 304.
Guide: 16 mm in Brass.
Finish: SSS, PSS

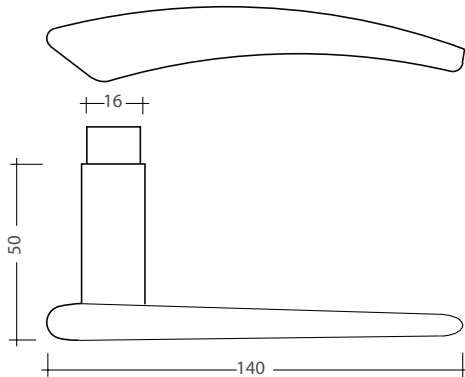


VANTAGE

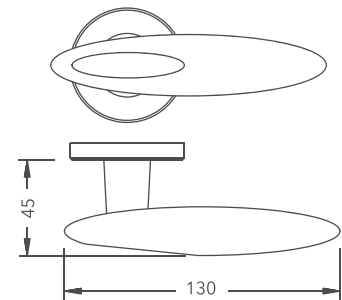
Solid Lever Handles



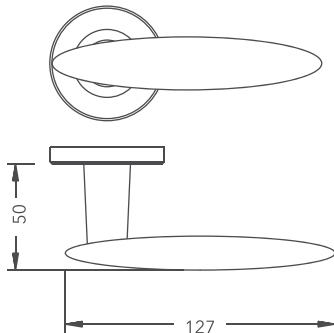
163 **Square Profile:** V2 Spindle 8mm
Base Material: Stainless Steel AISI 304.
Guide: 16 mm in Brass.
Finish: SSS, PSS



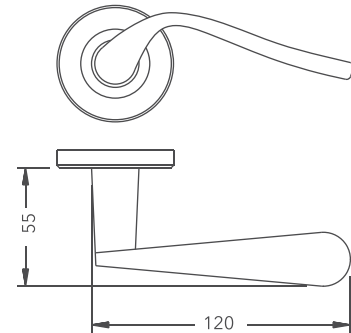
164 **Square Profile:** V2 Spindle 8mm
Base Material: Stainless Steel AISI 304.
Guide: 16 mm in Brass.
Finish: SSS, PSS



165 **Square Profile:** V2 Spindle 8mm
Base Material: Stainless Steel AISI 304.
Guide: 16 mm in Brass.
Finish: SSS, PSS



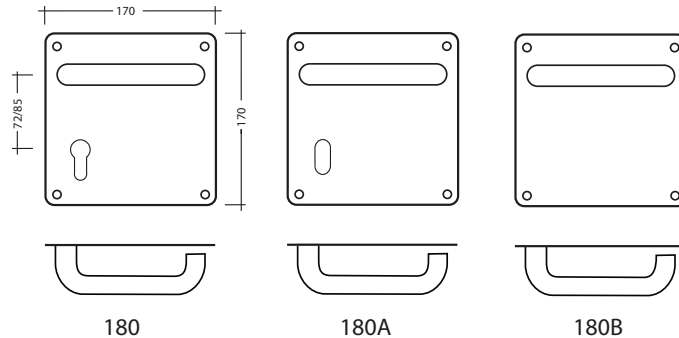
166 **Square Profile:** V2 Spindle 8mm
Base Material: Stainless Steel AISI 304.
Guide: 16 mm in Brass.
Finish: SSS, PSS



VANTAGE

Lever Handles With Back Plate

Lever Handles with Back Plate for sash lock function



Length: 170mm
Width: 170mm
Center to Center : 72-85mm
Thickness: 2 or 3mm
Base Material: Stainless Steel AISI 304.
Finish: SSS, PSS

180

Lever Handles with Back Plate & Indicator for privacy function

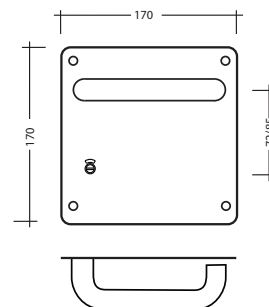
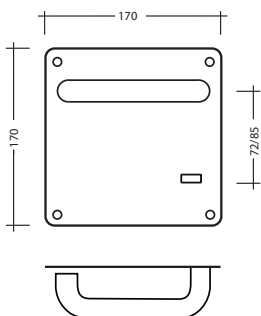


Length: 170mm
Width: 170mm
Center to Center : 78mm
Thickness: 2 or 3mm
Base Material: Stainless Steel AISI 304.
Finish: SSS, PSS

181

Length: 170mm
Width: 170mm
Center to Center : 78mm
Thickness: 2 or 3mm
Base Material: Stainless Steel AISI 304.
Finish: SSS, PSS

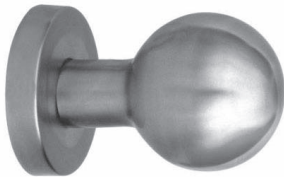
182



Note for ordering: please specify thickness and centre to centre by adding suffix after item number.
 e.g.: 181.201/3.72 for 3 mm thickness and 72 mm C/C

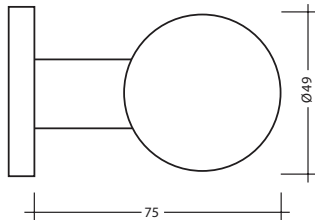
VANTAGE

Knobs



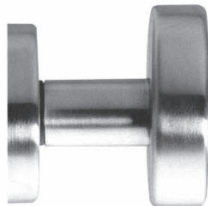
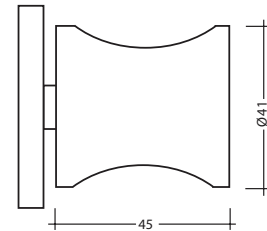
Length: 75mm
Knob Diameter: Ø49mm
Diameter: 20mm
Square Profile: V2 Spindle 8mm
Base Material: Stainless Steel AISI 304.
Guide: 16 mm in Brass.
Finish: SSS, PSS

186



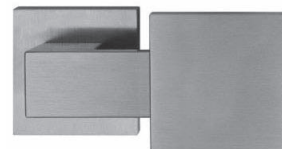
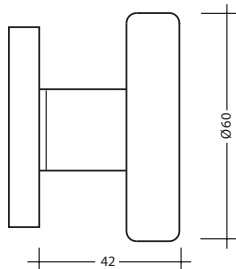
Length: 45mm
Knob Diameter: Ø41mm
Square Profile: V2 Spindle 8mm
Base Material: Stainless Steel AISI 304.
Guide: 16 mm in Brass.
Finish: SSS, PSS

187



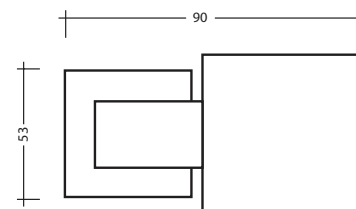
Length: 42mm
Knob Diameter: Ø60mm
Diameter: 20mm
Square Profile: V2 Spindle 8mm
Base Material: Stainless Steel AISI 304.
Guide: 16 mm in Brass.
Finish: SSS, PSS

188



Length: 90mm
Width: 53mm
Projection: 50mm
Square Profile: V2 Spindle 8mm
Base Material: Stainless Steel AISI 304.
Guide: 16 mm in Brass.
Finish: SSS, PSS

189

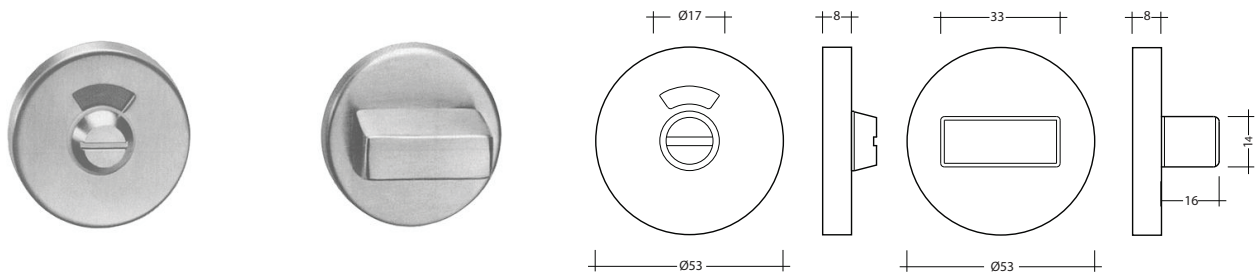


VANTAGE

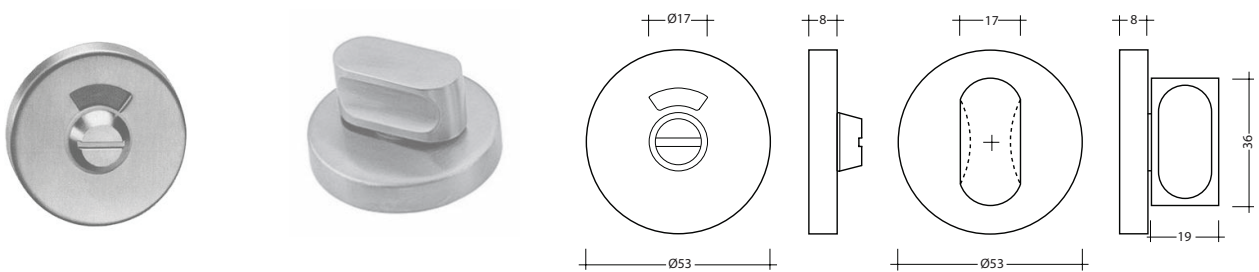
Thumbturns with Bathroom Indicator

Diameter: Ø53mm
Height: 8mm
Base Material: Stainless Steel AISI 304.
Finish: SSS, PSS
 Outside plate with indicator & Emergency Release.
 Inside plate with thumb turn

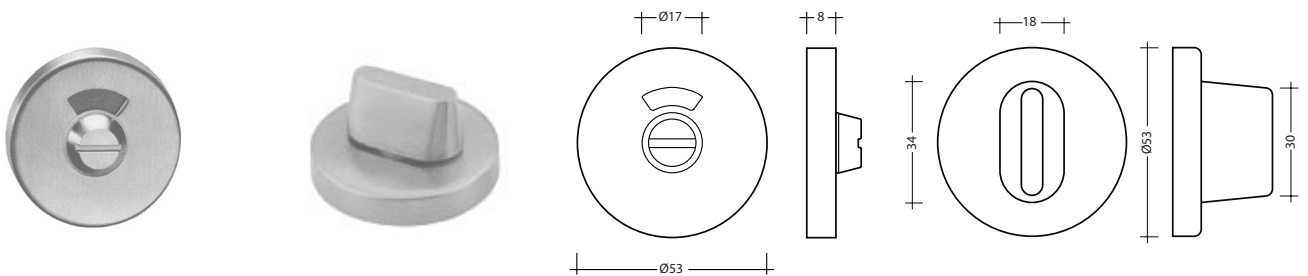
191



192



193

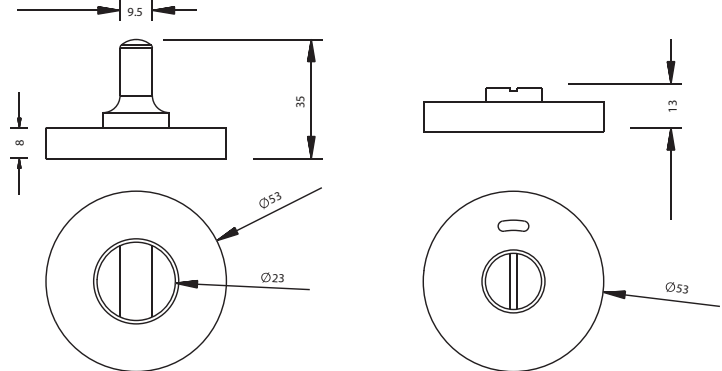


VANTAGE

Bathroom Indicator

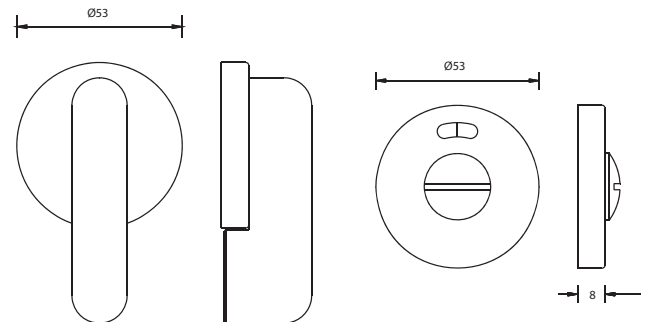
Diameter: Ø53mm
Height: 8mm
Base Material: Stainless Steel AISI 304.
Finish: SSS, PSS
 Outside plate with indicator & Emergency Release.
 Inside plate with thumb turn

194



Diameter: Ø53mm
Height: 8mm
Base Material: Stainless Steel AISI 304.
Finish: SSS, PSS
 Outside plate with indicator & Emergency Release.
 Inside plate with thumb turn

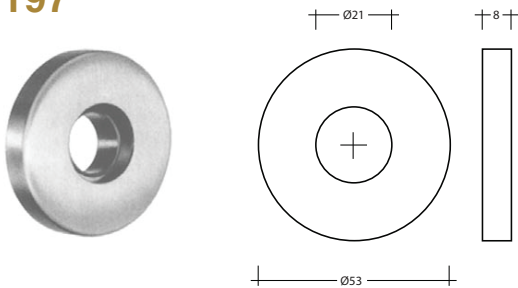
195



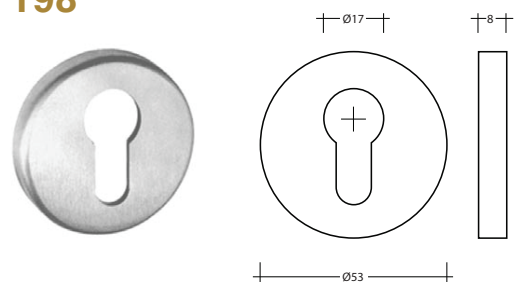
Diameter: Ø53mm
Height: 8mm
Base Material: Stainless Steel AISI 304.
Finish: SSS, PSS

Rose & Escutcheon

197



198



VANTAGE



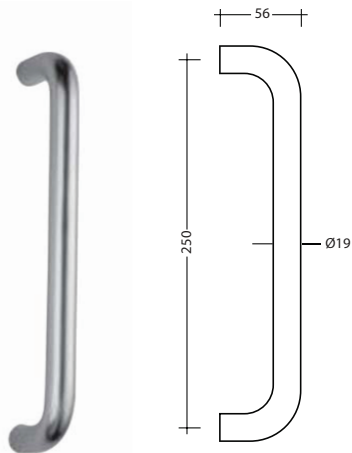
Pull & Push

VANTAGE

Pull Handles

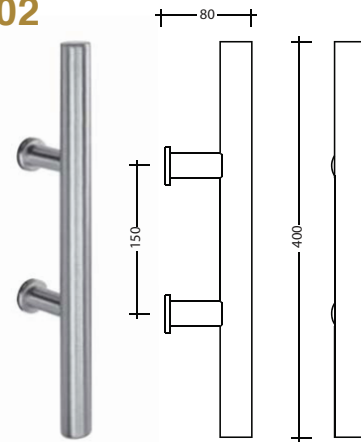
Base Material: Stainless Steel AISI 304.
Finish: SSS, PSS
Note: Other lengths available.
 (Lengths and diameter are to be specified in order)
 e.g. 202.201/25.600

201



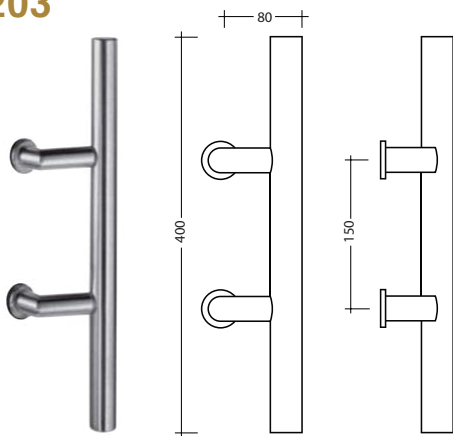
Available in other lengths.

202



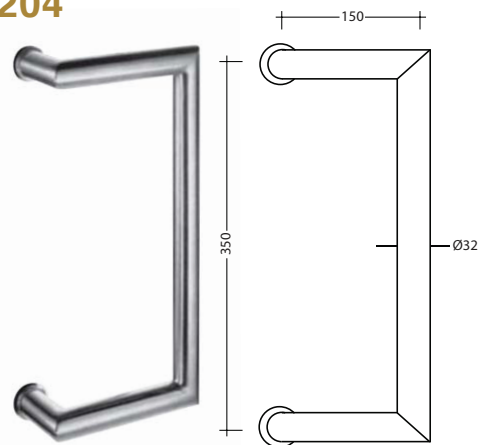
Available in diameters (25mm, 32mm, 38mm)

203



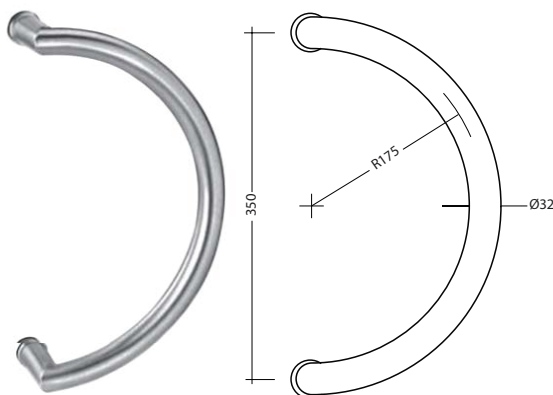
Available in diameters (25mm, 32mm, 38mm)

204



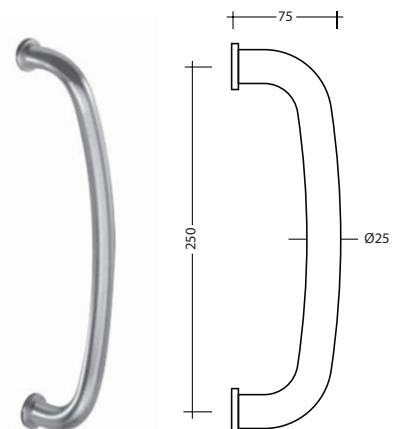
Available in diameters (25mm, 32mm, 38mm)

205



Available in diameters (25mm, 32mm, 38mm)

206



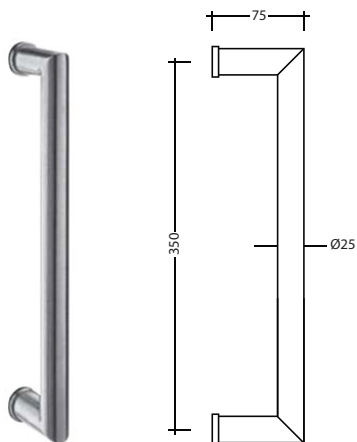
Available in diameters (25mm, 32mm, 38mm)

VANTAGE

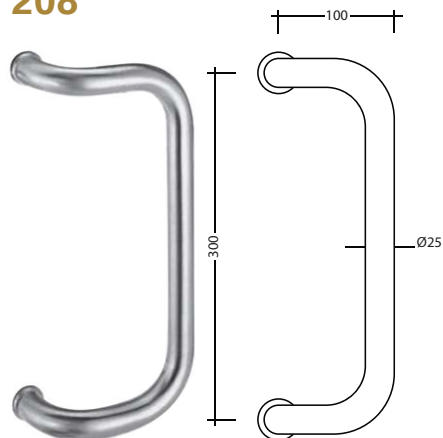
Pull Handles

Base Material: Stainless Steel AISI 304.
Finish: SSS, PSS

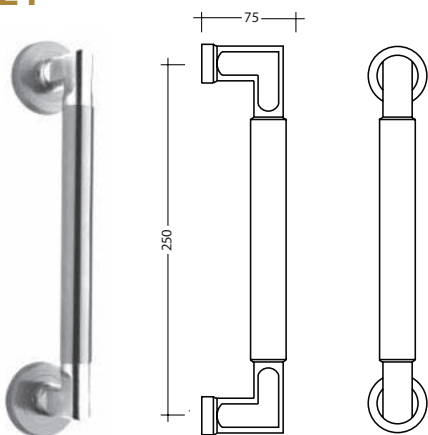
207



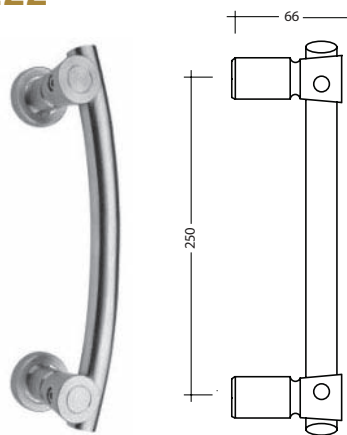
208



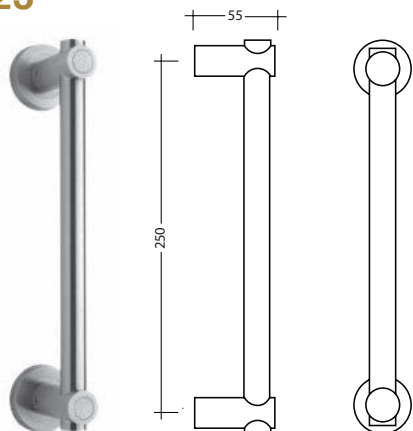
221



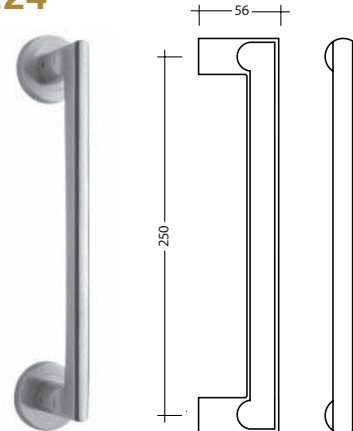
222



223



224

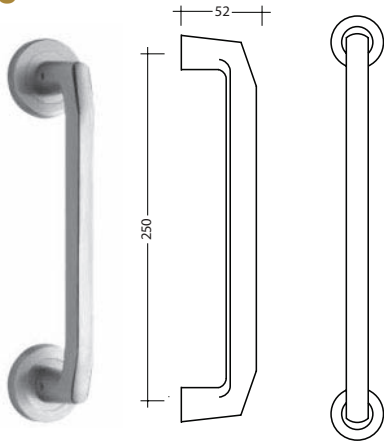


VANTAGE

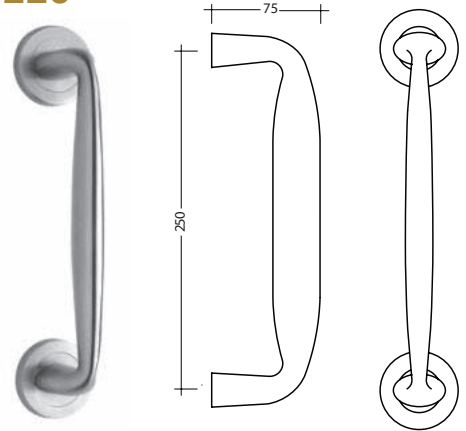
Pull Handles

Base Material: Stainless Steel AISI 304.
Finish: SSS, PSS

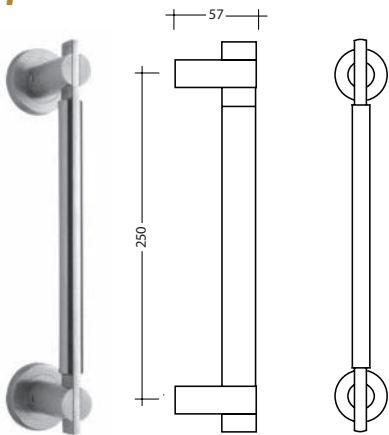
225



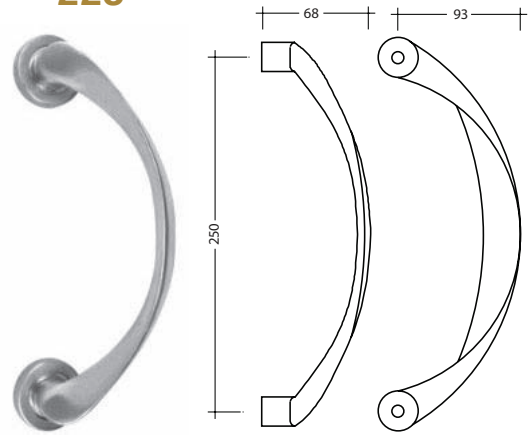
226



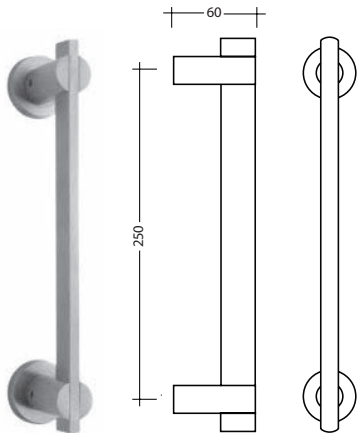
227



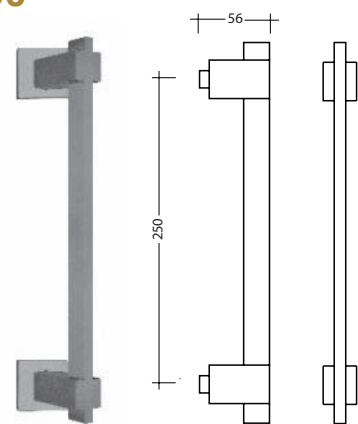
228



229



230

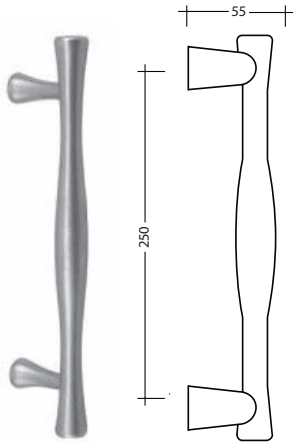


VANTAGE

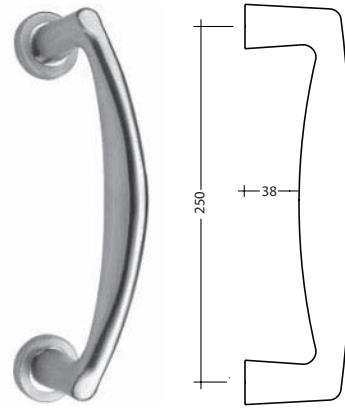
Pull Handles

Base Material: Stainless Steel AISI 304.
Finish: SSS, PSS

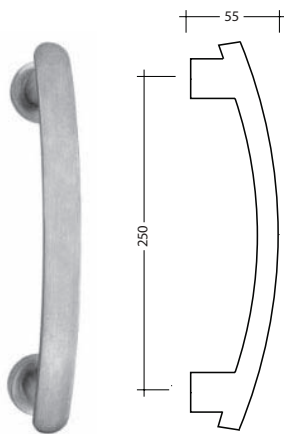
231



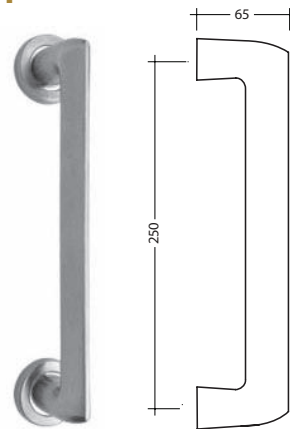
232



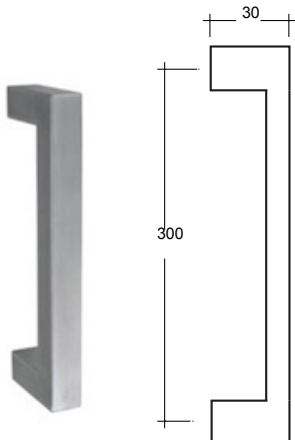
233



234



235

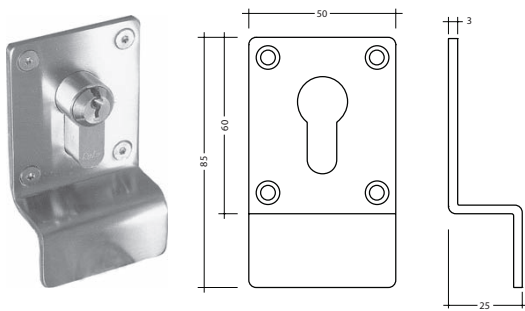


VANTAGE

Pull Handles

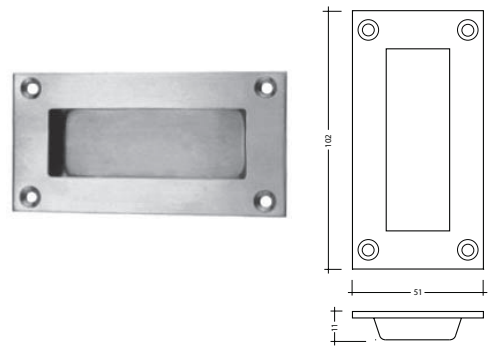
Cylinder Pull 245

Length: 85mm
Width: 50mm
Base Material: Stainless Steel AISI 304.
Finish: SSS, PSS



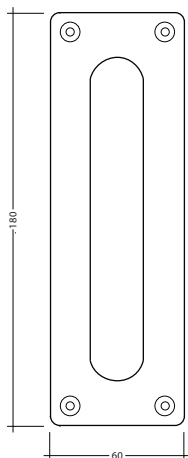
Flush Pull 246

Length: 102mm
Width: 51mm
Base Material: Stainless Steel AISI 304.
Finish: SSS, PSS



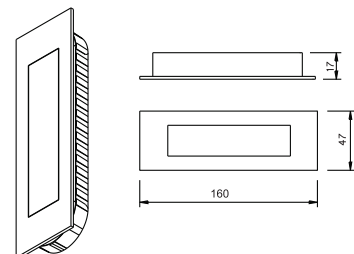
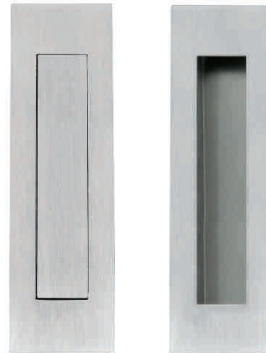
Flush Pull 247

Length: 180mm
Width: 60mm
Base Material: Stainless Steel AISI 304.
Finish: SSS, PSS



Flush Pull 248

Length: 160mm
Width: 47mm
Base Material: Stainless Steel AISI 304.
Finish: SSS, PSS

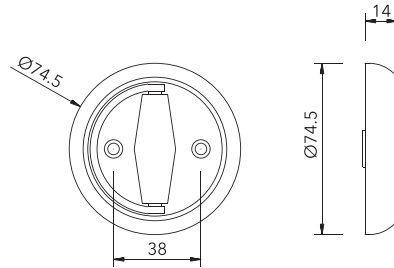


VANTAGE

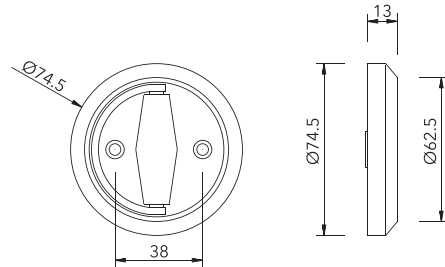
Pull Handles

Flush Pull
Flush Round Pull Handles
Material: Stainless steel AISI304
Finish: SSS, PSS

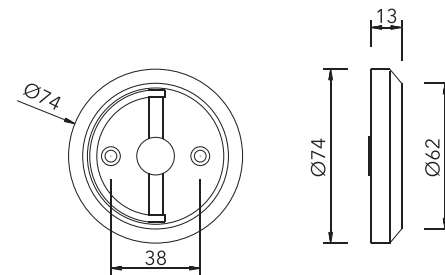
249



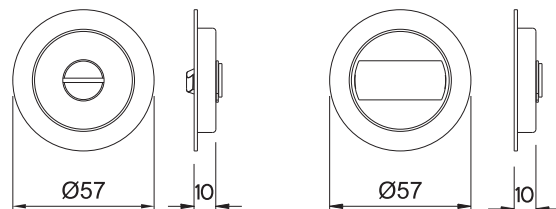
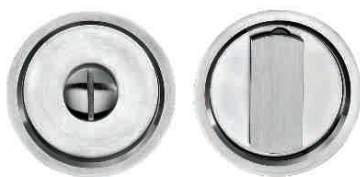
250



251



252

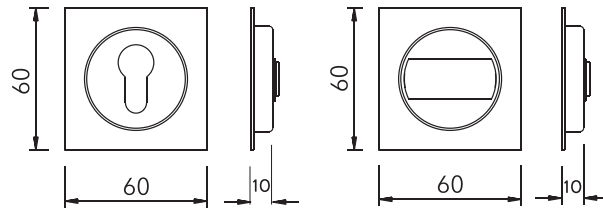


VANTAGE

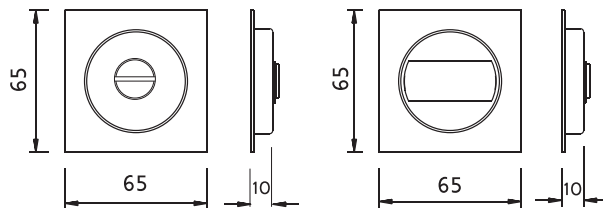
Pull Handles

Flush Pull
Flush Square Pull Handles
Material: Stainless steel AISI304
Finish: SSS, PSS

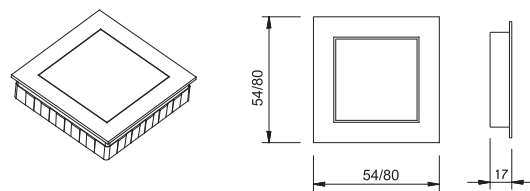
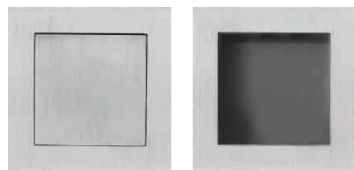
253



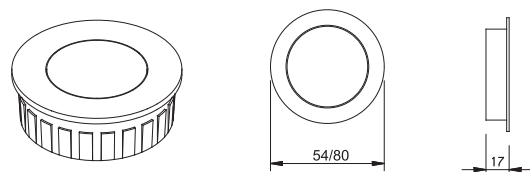
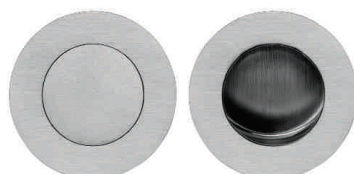
254



255



256

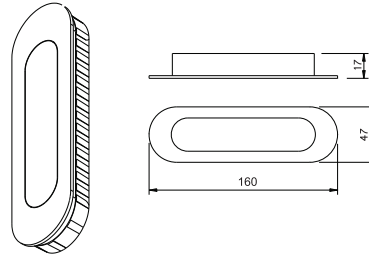


VANTAGE

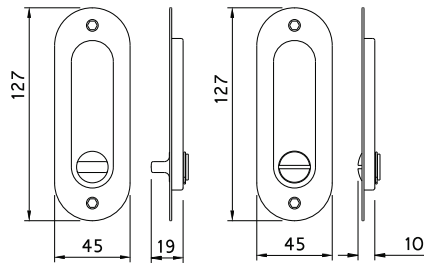
Pull Handles

Flush Pull
Flush Oval Pull Handles
Material: Stainless steel AISI304
Finish: SSS, PSS

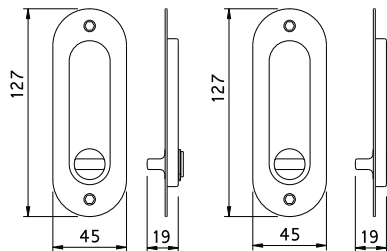
257



258

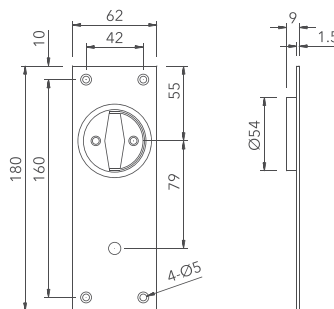


259



Flush Pull
Flush Round Pull Handle
Material: Stainless steel AISI304
Finish: SSS, PSS

260



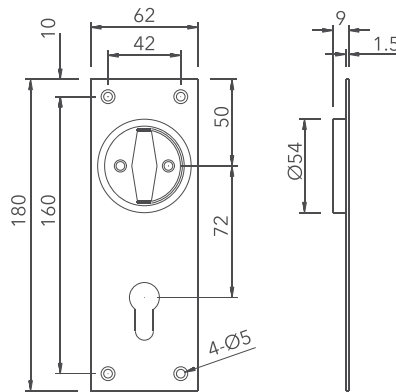
Flush Pull
Flush Round Pull Handle

Material: Stainless steel

Base Material: Stainless Steel AISI 304.

Finish: SSS, PSS

261



Pull Handel 271

Length: 300mm

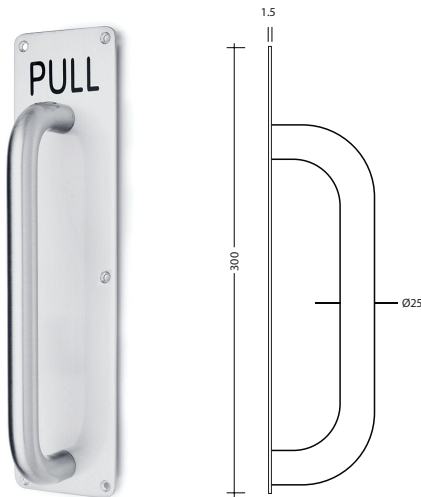
Width: 100mm

Thickness: 1.5 mm

Centre to Centre: 200mm

Base Material: Stainless Steel AISI 304.

Finish: SSS, PSS



Push Plate 281

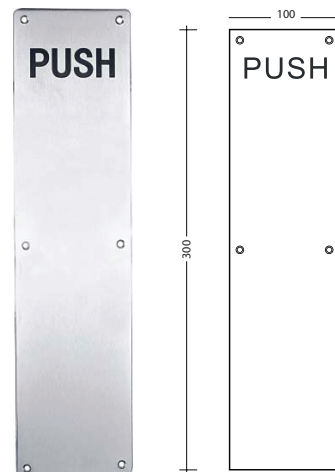
Length: 300mm

Width: 100mm

Thickness: 1.5 mm

Base Material: Stainless Steel AISI 304.

Finish: SSS, PSS



Note: Other dimensions are available upon request.

VANTAGE



Locks & Cylinders

Locks Coding Detail:

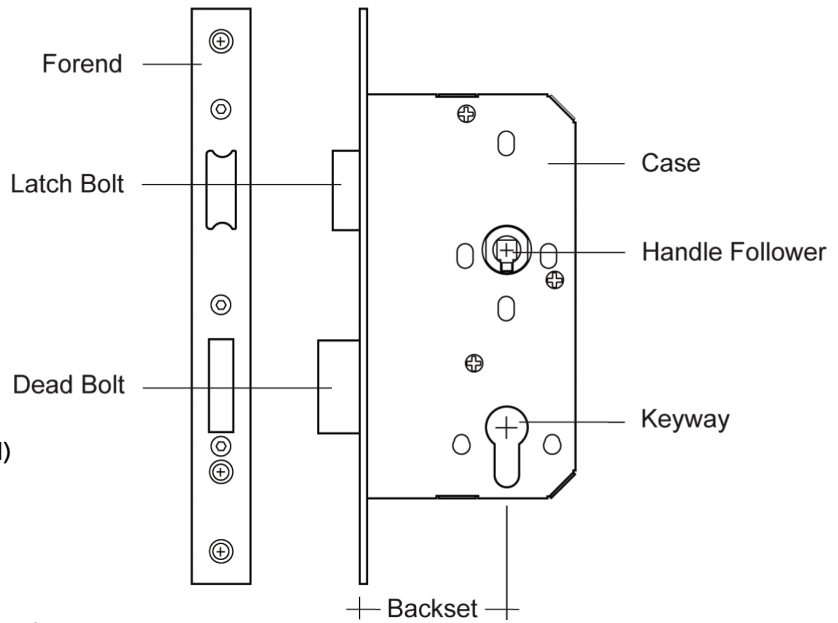
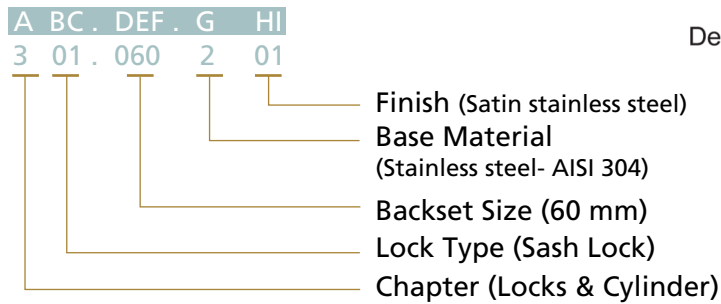
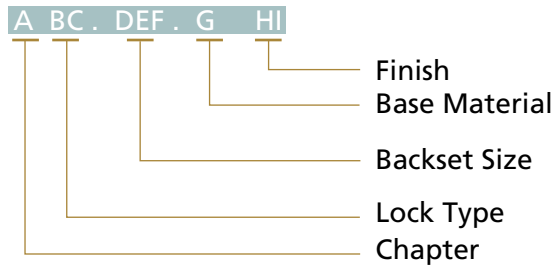
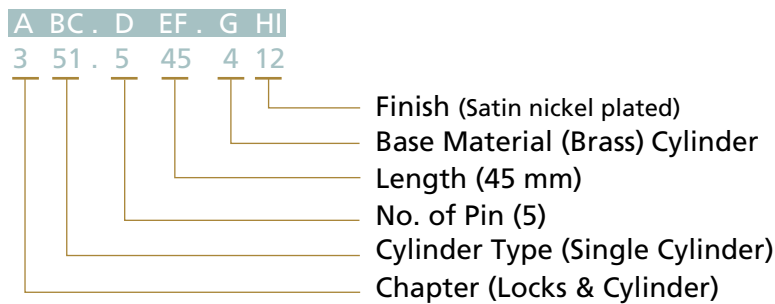
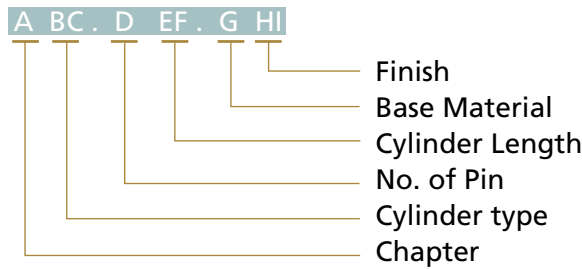


Fig. 01

Cylinder Coding Detail:



Available Finishes:



Base Material:

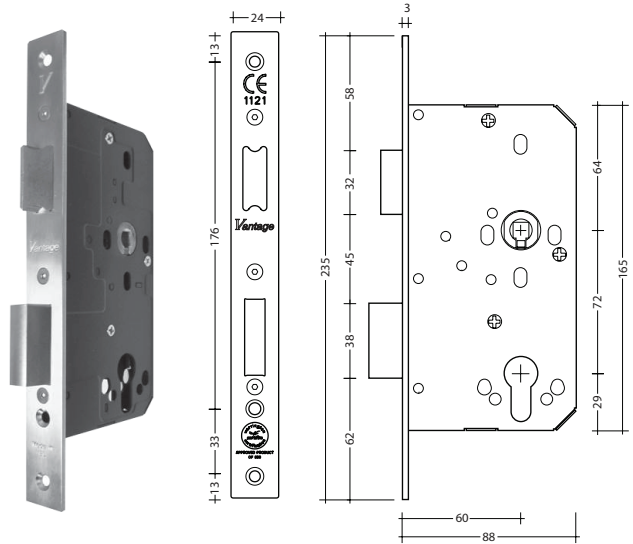
1. Stainless Steel AISI 3
2. Stainless Steel AISI 3
3. Zink All
4. Brass 4

Sash Lock 301.060.201

Forend: 235 x 24 x 3mm
Backset: 45 mm, 50mm, 55mm, 60mm
Center to Center : 72 mm,
 85mm,70mm,68mm
Latch throw: 11mm
Double throw dead bolt: 21 mm **Reversible latch**
Available Finishes: SSS, PSS, PB, BZ
 (For forend & strike Plate).

Quality Standards:
BS EN certificate.
 Performance test as per BS EN 12209:2003.
 CE - 1121 Marking.

Fire Certificate:
 Chiltern Fire Tested to BS 476: Part 22: 1987
 for 120 minute.
 Exova Warrington fire certificate.

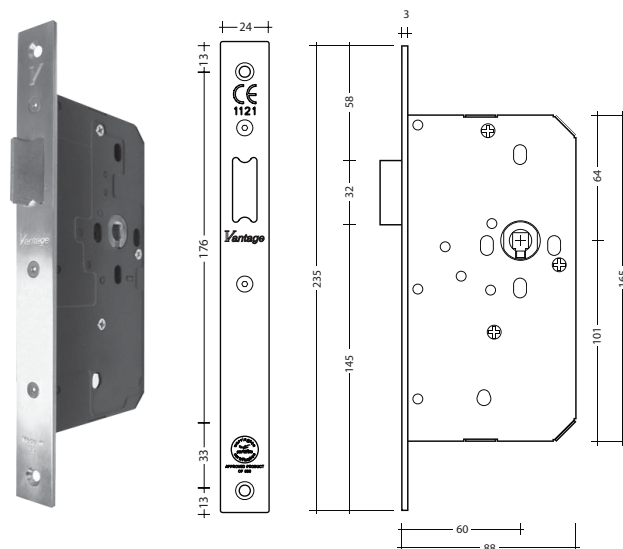


Latch Lock 302.060.201

Forend: 235 x 24 x 3mm
Backset: 45mm,50mm,55mm, 60mm
Latch throw: 11mm
Reversible latch
Available Finishes: SSS, PSS, PB, BZ
 (For forend & strike Plate).

Quality Standards:
BS EN certificate.
 Performance test as per BS EN 12209:2003.
 CE - 1121 Marking.

Fire Certificate:
 Chiltern Fire Tested to BS 476: Part 22: 1987
 for 120 minute.
 Exova Warrington fire certificate.

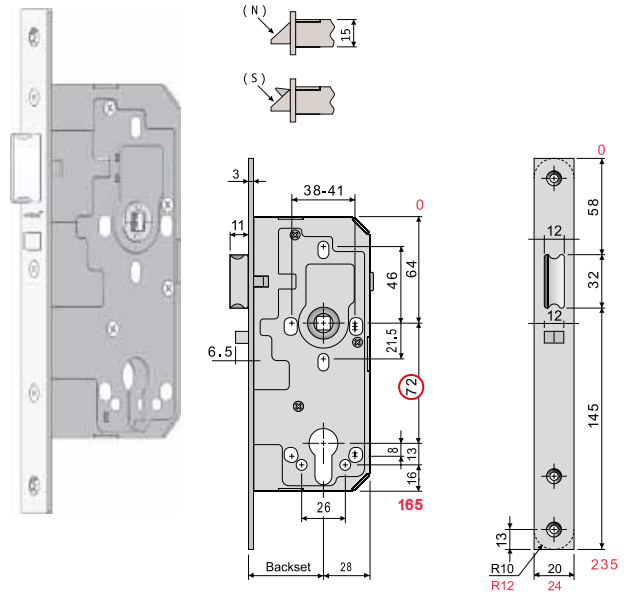


Upright mortice anti-thrust latch 308.060.201

Forend: 235 x 24 x 3mm
Backset: 55mm, 60mm
Latch throw: 11mm
Reversible latch
Available Finishes: SSS, PSS, PB, BZ
 (For forend & strike Plate).

Quality Standards:
BS EN certificate.
 Performance test as per BS EN 12209:2003.
 CE - 1121 Marking.

Fire Certificate:
 Chiltern Fire Tested to BS 476: Part 22: 1987
 for 120 minute.
 Exova Warrington fire certificate.

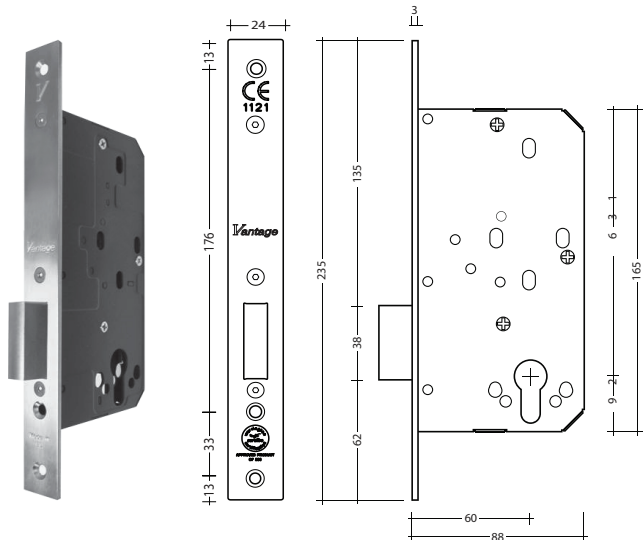


A - saw protection

Dead Lock 303.060.201

Forend: 235 x 24 x 3mm
Backset: 45 mm, 50mm, 55mm, 60mm
Double throw dead bolt: 21 mm
Available Finishes: SSS, PSS, PB, BZ
 (For forend & strike Plate).

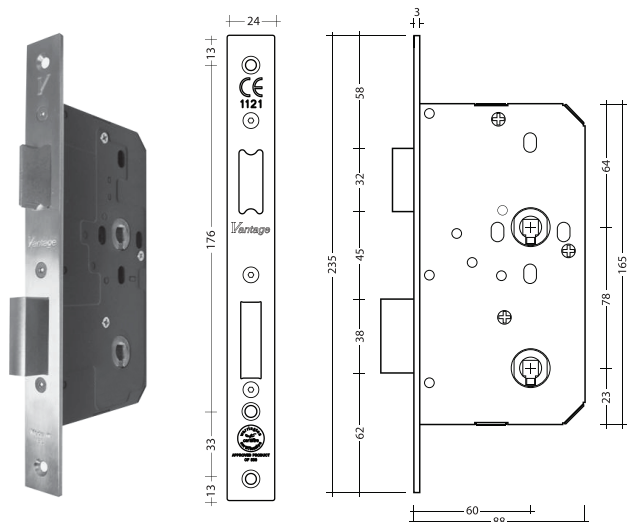
Quality Standards:
BS EN certificate.
 Performance test as per BS EN 12209:2003.
 CE - 1121 Marking.



Privacy Lock 304.060.201

Forend: 235 x 24 x 3mm
Backset: 60 mm
Center to center: 78mm
Latch throw: 11mm
Single throw dead bolt: 10 mm
Reversible latch
Available Finishes: SSS, PSS, PB, BZ
 (For forend & strike Plate).

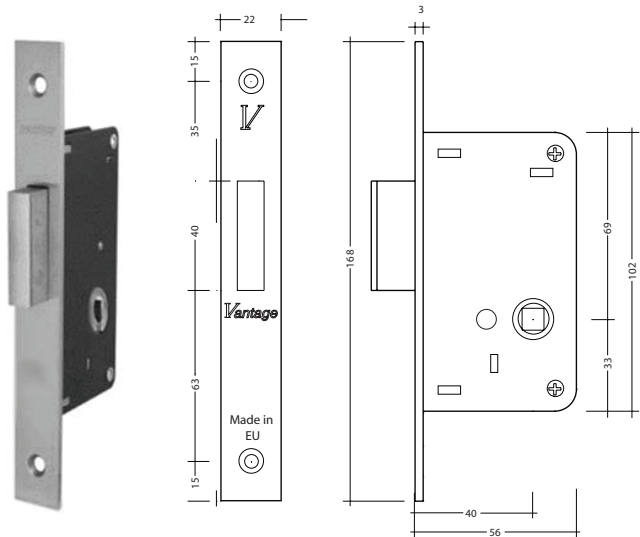
Quality Standards:
BS EN certificate.
 Performance test as per BS EN 12209:2003.
 CE - 1121 Marking.
Fire Certificate:
 Chiltern Fire Tested to BS 476: Part 22: 1987
 for 120 minute.
 Exova Warrington fire certificate.



Privacy Dead Lock 304.340.201

Forend: 168 x 22 x 3mm
Backset: 40 mm
Size of bolt: 10x40mm
Single throw dead bolt: 16 mm
Forend & Striking Plate: Stainless Steel AISI 304.
Available Finishes: SSS, PSS, PB, BZ
 (For forend & strike Plate).

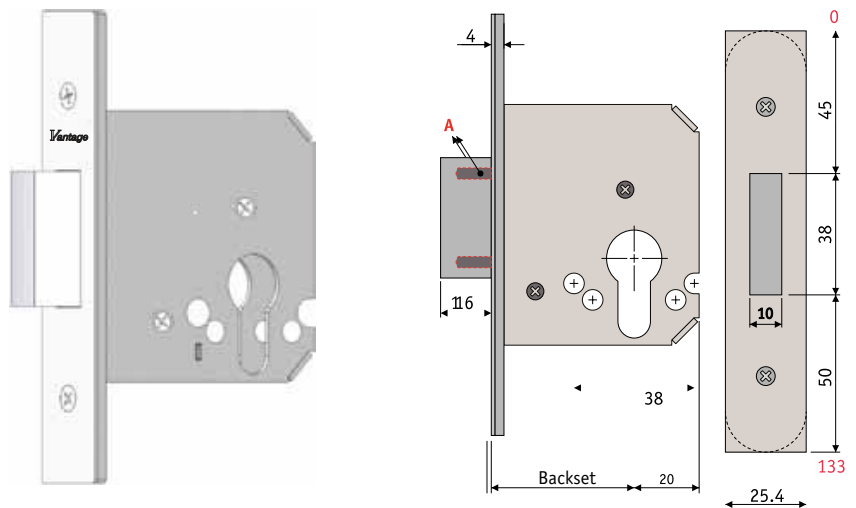
Quality Standards:
BS EN certificate.
 Performance test as per BS EN 12209:2003.
 CE - 1121 Marking.



Dead Lock 303.258.201

Forend: 133 x 25.4 x 3mm
Backset: 45 mm
Double throw dead bolt: 21 mm
Available Finishes: SSS, PSS,
 PB, BZ (For forend & strike
 Plate).

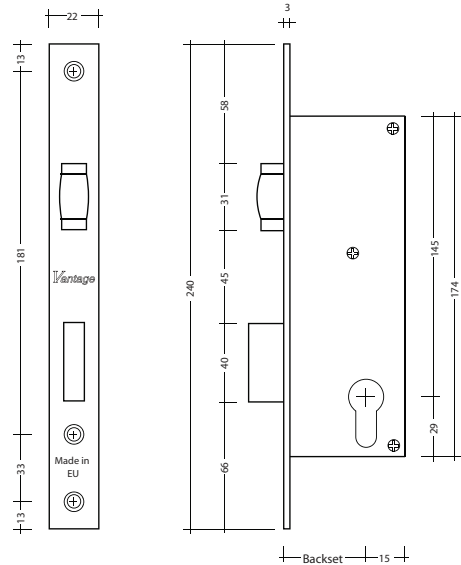
Quality Standards:
BS EN certificate.
 Performance test as per BS
 EN 12209:2003. CE - 1121
 Marking.



Roller Latch Lock 305.050.201 V61-1

Forend: 240 x 22 x 3mm
Backset: 40 mm
Single throw dead bolt: 15 mm
Latch Projection: 8mm
Forend & Striking Plate: Stainless Steel AISI 304.
Available Finishes: SSS, PSS, PB, BZ
 (For forend & strike Plate).

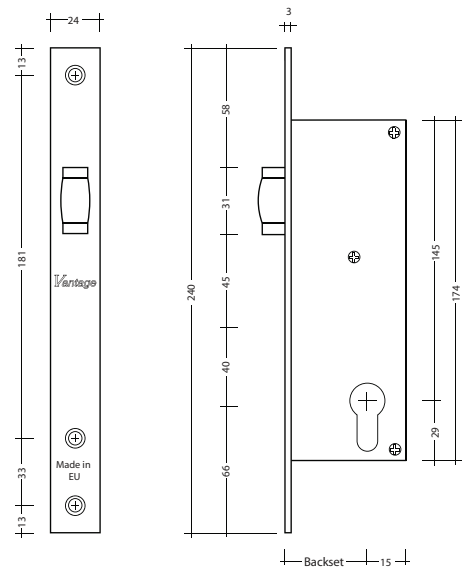
Quality Standards:
BS EN certificate.
 Performance test as per BS EN 12209:2003.
 CE - 1121 Marking.



Roller Latch Lock 305.060.201

Forend: 240 x 24 x 3mm
Backset: 50 mm
Single throw dead bolt: 15 mm
Latch Projection: 8mm
Forend & Striking Plate: Stainless Steel AISI 304
Available Finishes: SSS, PSS, PB, BZ
 (For forend & strike Plate).

Quality Standards:
BS EN certificate.
 Performance test as per BS EN 12209:2003.
 CE - 1121 Marking.

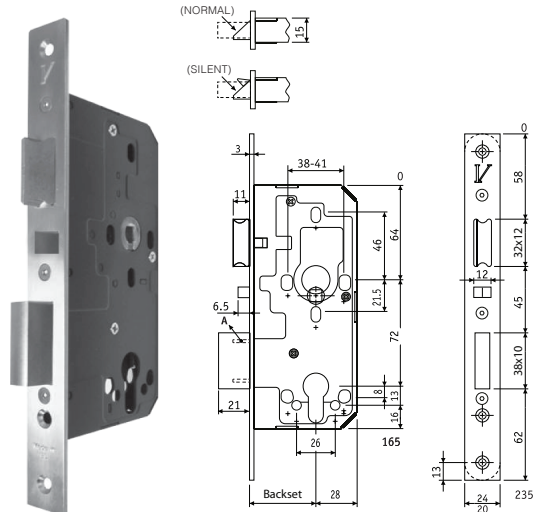


Escape Mortice Sash Lock 306.060.201

Forend: 235 x 24 x 3mm
Backset: 60 mm
Center to Center : 72 mm
Latch throw: 11mm
Double throw dead bolt: 21 mm
Reversible latch
Available Finishes: SSS, PSS, PB, BZ
 (For forend & strike Plate).

Quality Standards:
BS EN certificate.
 Performance test as per BS EN 12209:2003.
 CE - 1121 Marking.

Fire Certificate:
 Chiltern Fire Tested to BS 476: Part 22: 1987
 for 120 minute.
 Exova Warrington fire certificate.



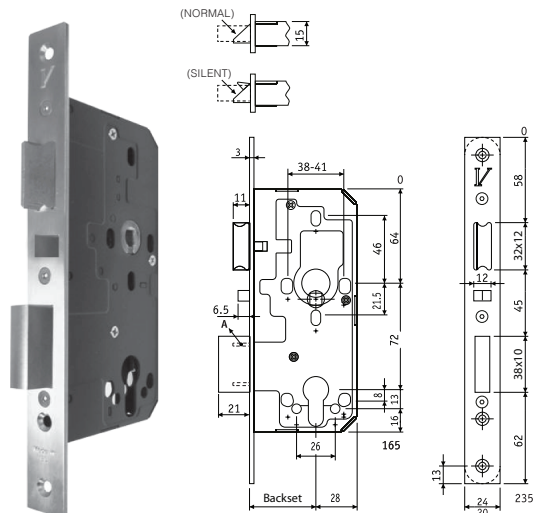
The reversible latch and the deadbolt are operated on both sides by cylinder. The latch and the deadbolt are operated on the inside by lever handle. Standard follower.

Escape Mortice Sash Lock 307.060.201

Forend: 235 x 24 x 3mm
Backset: 60 mm
Center to Center : 72 mm
Latch throw: 11mm
Double throw dead bolt: 21 mm
Reversible latch
Available Finishes: SSS, PSS, PB, BZ
 (For forend & strike Plate).

Quality Standards:
BS EN certificate.
 Performance test as per BS EN 12209:2003.
 CE - 1121 Marking.

Fire Certificate:
 Chiltern Fire Tested to BS 476: Part 22: 1987
 for 120 minute.
 Exova Warrington fire certificate.



The reversible latch and the deadbolt are operated on both sides by cylinder. The latch and the deadbolt are operated on the inside by lever handle. Reversible escape feature. Split follower.

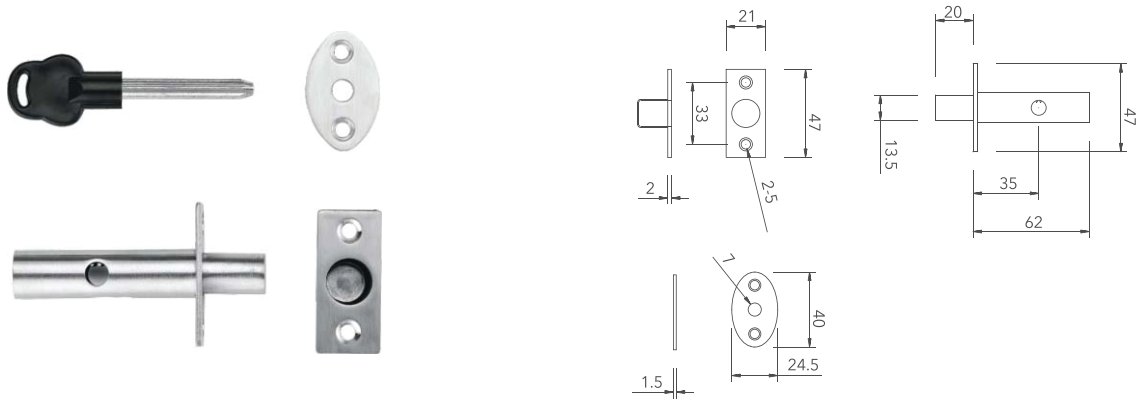
Shaft Lock **320.035.201**

Backset: 35 mm

Length: 62mm

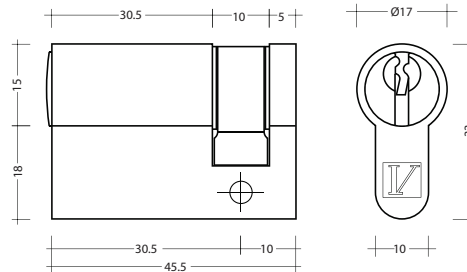
Face & Strike Plate: Stainless Steel AISI 304.

Available Finishes: SSS, PSS.



Single Cylinder 351.545.412

Length: 45.5mm
Number of Pins: 5/6 mm
Number of Keys: 3
Standard Finish : SNP

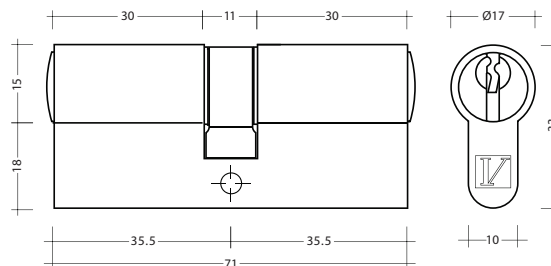


Quality Standards:

Tested to BS 476: Part 22: 1987
 Other lengths and finishes available.

Double Cylinder 353.571.412

Length: 71mm
Number of Pins: 5/6 mm
Number of Keys: 3
Standard Finish : SNP

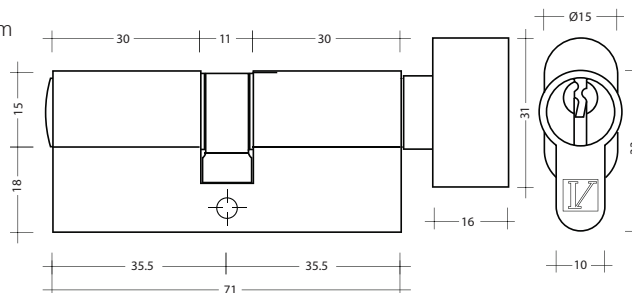


Quality Standards:

Tested to BS 476: Part 22: 1987
 Other lengths and finishes available.

Thumb Turn Cylinder 355.571.412

Length: 71mm
Number of Pins: 5/6 mm
Number of Keys: 3
Standard Finish : SNP

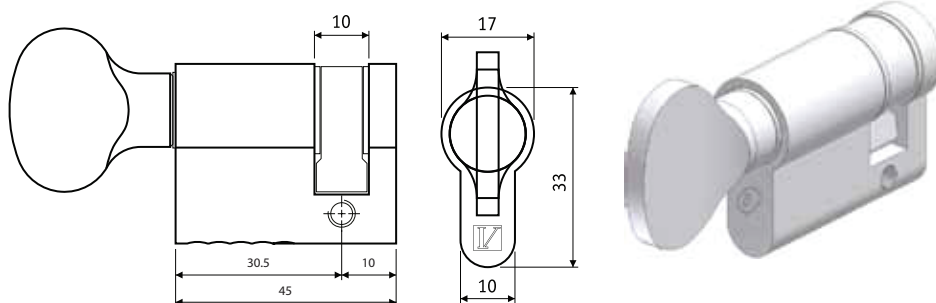


Quality Standards:

Tested to BS 476: Part 22: 1987
 Other lengths and finishes available.

Euro Singel Cylinder & Thumbturn 357.545.412

Length: 45 mm
Standard Finish : SNP

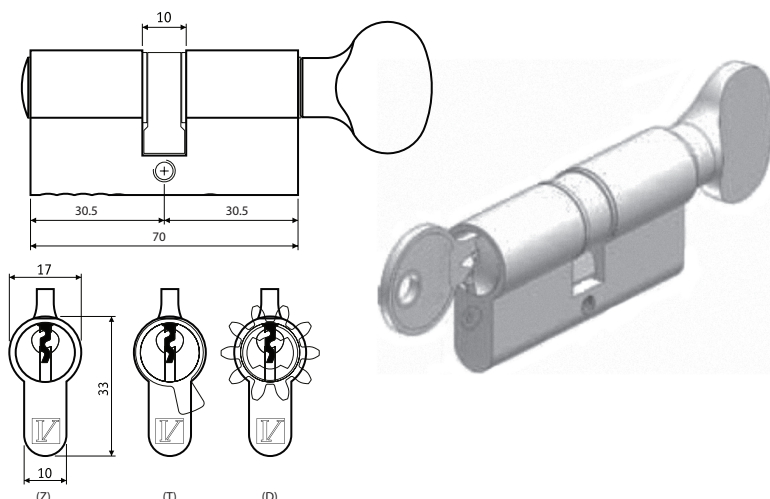


Quality Standards:

Tested to BS 476: Part 22: 1987
Other lengths and finishes available.

Euro Double Cylinder & Thumbturn 358.570.412

Length: 70mm
Number of Pins: 5/6 mm
Number of Keys: 3
Standard Finish : SNP
Locking Cam : 0° (Z), 30° (T), gear (D)

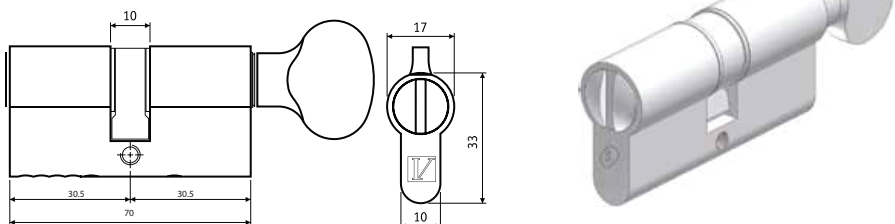


Quality Standards:

Tested to BS 476: Part 22: 1987
Other lengths and finishes available.

Emergency Euro Double Cylinder & Thumbturn 359.570.412

Length: 70mm
Standard Finish : SNP

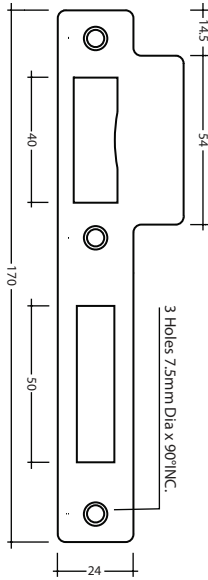


Quality Standards:

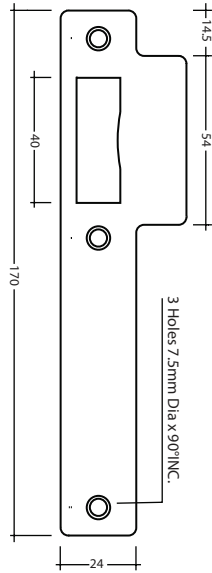
Tested to BS 476: Part 22: 1987
Other lengths and finishes available.

VANTAGE

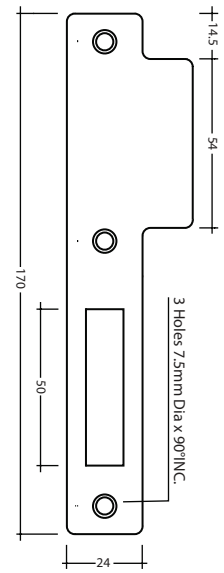
Strike Plates



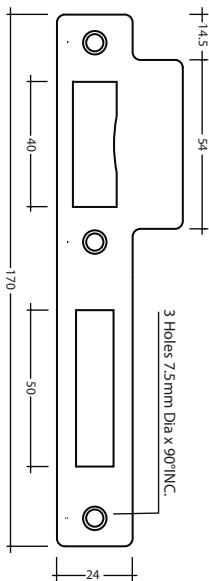
330.001.201



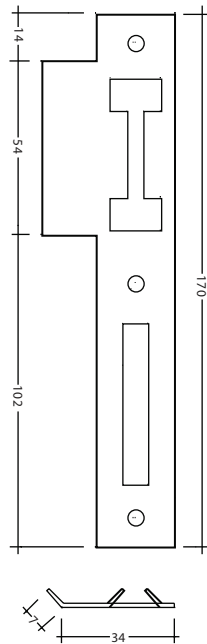
331.001.201



332.001.201



333.001.201

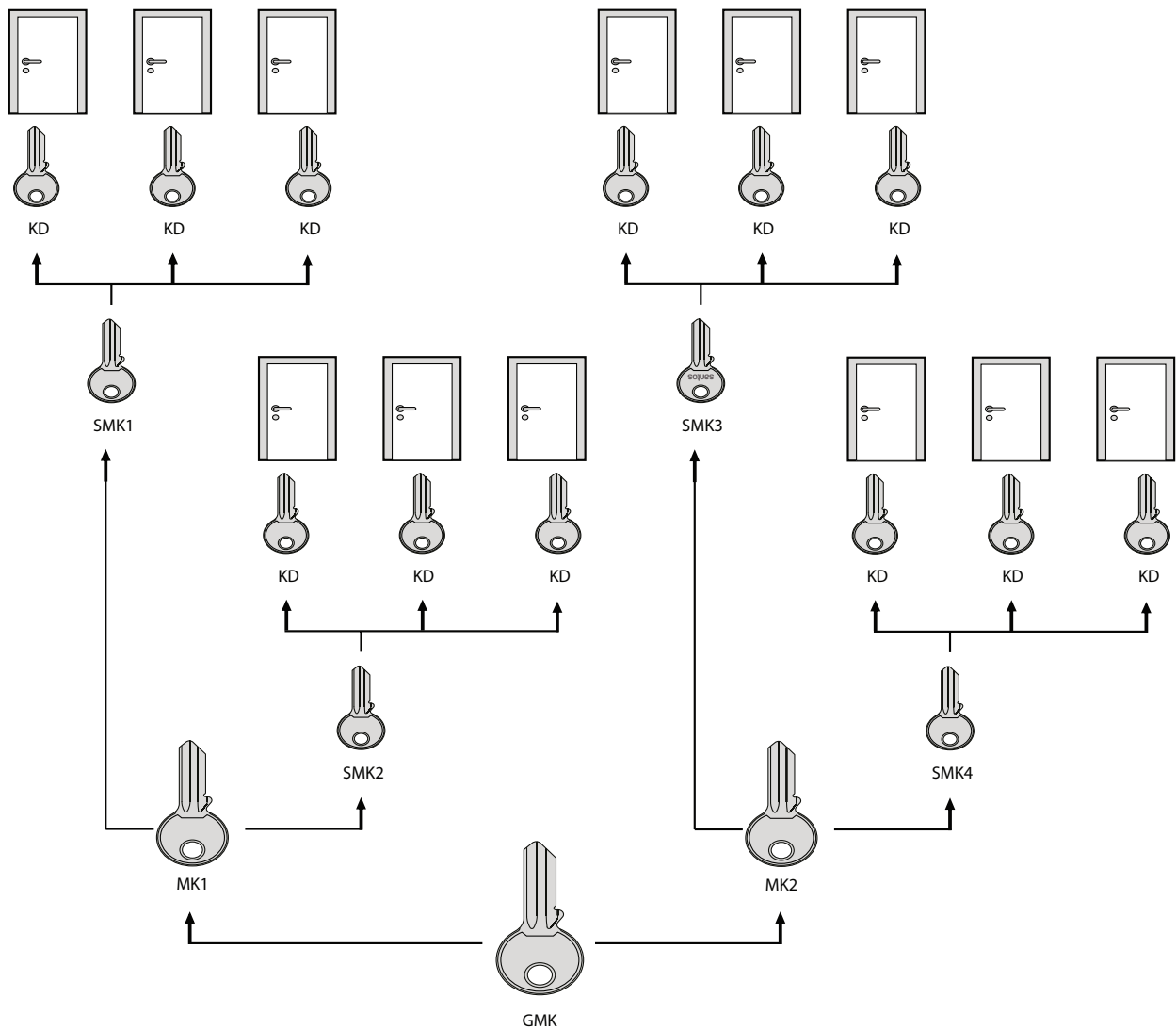


334.001.201

Available Finishes: SSS, PSS, PB, BZ

VANTAGE

Master Key Systems Multi-level



Abbreviations:

KD- Keys to differ, **SMK-** Sub Master Key, **MK-** Master Key, **GMK-** Grand Master Key

VANTAGE



Hinges

Hinge Coding Detail:

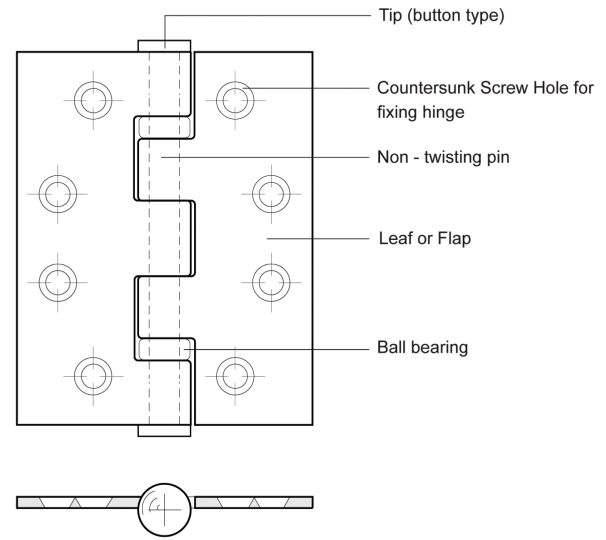
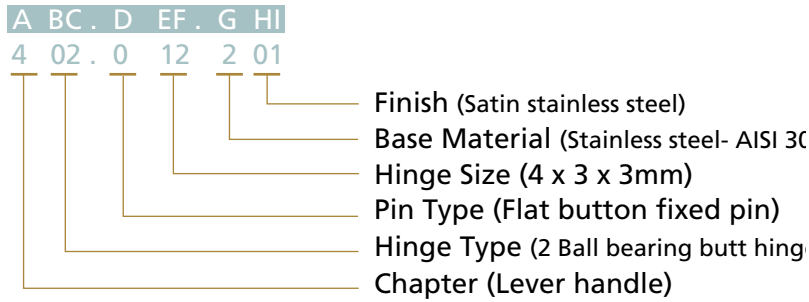
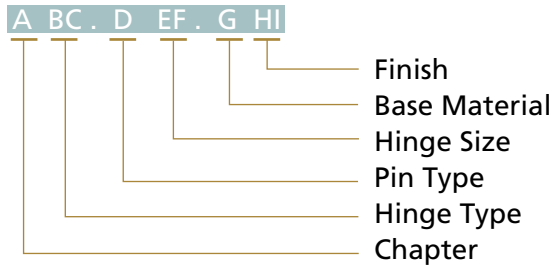
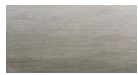


Fig.01

Base Material:

1. Stainless Steel AISI 316
2. Stainless Steel AISI 304
3. Zink Alloy
4. Brass

Available Finishes:



01 Satin Stainless Steel



02 Polished Stainless Steel



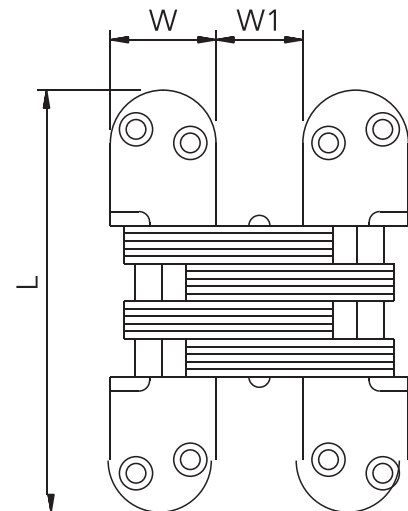
09 Polished Brass



10 Dark Bronze



11 Bronze

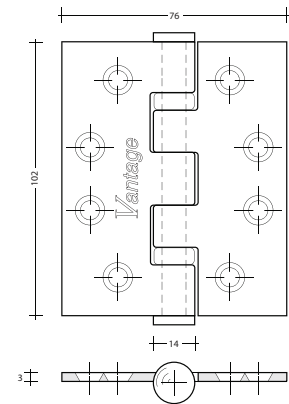


Butt Hinge 402.012.201

Height: 4/102 inches/mm
Width: 3/76 inches/mm
Thickness: 3 mm
Number of Bearings: 2 or 4
Top & Bottom fixed tips
Base Material: Stainless Steel AISI 304.

Quality Standards:
 BS EN 1935, grade 13, CE marked.

Fire Certificate:
 Fire Tested to BS 476: Part 22: 1987,
 Exova Warrington Certificate.
 ANSI A156.7 (Template Hinge Dimension).
 ANSI A156.18 (Materials & Finishes).

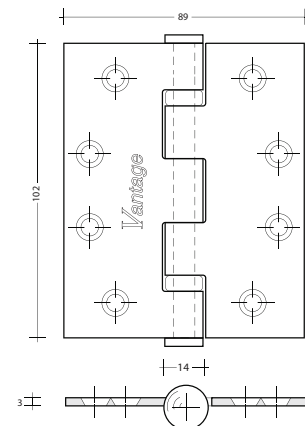


Butt Hinge 402.014.201

Height: 4/102 inches/mm
Width: 3.5/89 inches/mm
Thickness: 3 mm
Number of Bearings: 2 or 4
Top & Bottom fixed tips
Base Material: Stainless Steel AISI 304.

Quality Standards:
 BS EN 1935, grade 13, CE marked.

Fire Certificate:
 Fire Tested to BS 476: Part 22: 1987,
 Exova Warrington Certificate.
 ANSI A156.7 (Template Hinge Dimension).
 ANSI A156.18 (Materials & Finishes).

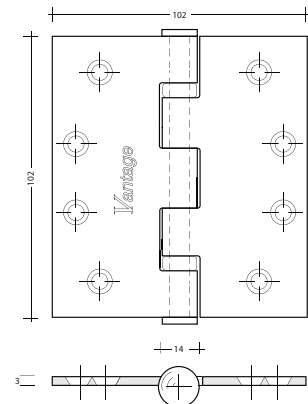


Butt Hinge 402.016.201

Height: 4/102 inches/mm
Width: 4/102 inches/mm
Thickness: 3 mm
Number of Bearings: 2 or 4
Top & Bottom fixed tips
Base Material: Stainless Steel AISI 304.

Quality Standards:
 BS EN 1935, grade 13, CE marked.

Fire Certificate:
 Fire Tested to BS 476: Part 22: 1987,
 Exova Warrington Certificate.
 ANSI A156.7 (Template Hinge Dimension).
 ANSI A156.18 (Materials & Finishes).

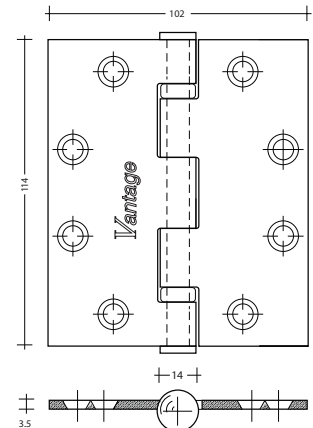


Butt Hinge 402.018.201

Height: 4.5/114 inches/mm
Width: 4/102 inches/mm
Thickness: 3.5 mm
Number of Bearings: 2 or 4
Top & Bottom fixed tips
Base Material: Stainless Steel AISI 304.

Quality Standards:
 BS EN 1935, grade 13, CE marked.

Fire Certificate:
 Fire Tested to BS 476: Part 22: 1987,
 Exova Warrington Certificate.
 ANSI A156.7 (Template Hinge Dimension).
 ANSI A156.18 (Materials & Finishes).

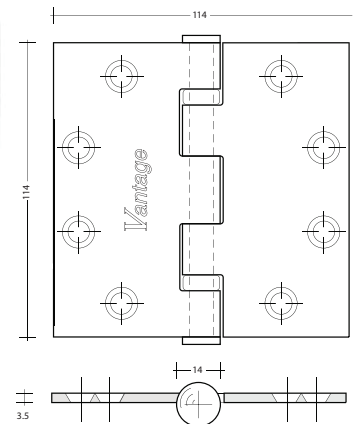


Butt Hinge 402.020.201

Height: 4.5/114 inches/mm
Width: 4.5/114 inches/mm
Thickness: 3.5 mm
Number of Bearings: 2 or 4
Top & Bottom fixed tips
Base Material: Stainless Steel AISI 304.

Quality Standards:
 BS EN 1935, grade 13, CE marked.

Fire Certificate:
 Fire Tested to BS 476: Part 22: 1987,
 Exova Warrington Certificate.
 ANSI A156.7 (Template Hinge Dimension).
 ANSI A156.18 (Materials & Finishes).

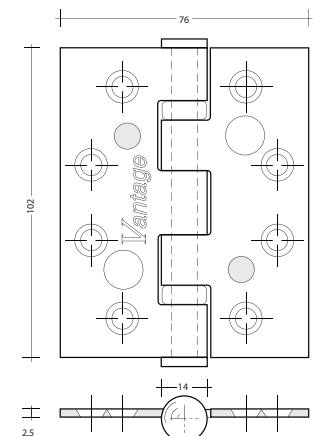
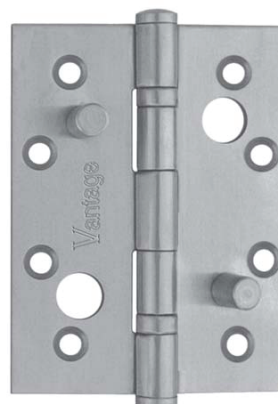


Security Pin Hinge 402.211.201

Height: 4/102 inches/mm
Width: 3/76 inches/mm
Thickness: 2.5 mm
Number of Bearings: 2 or 4
Top & Bottom fixed tips
Base Material: Stainless Steel AISI 304.

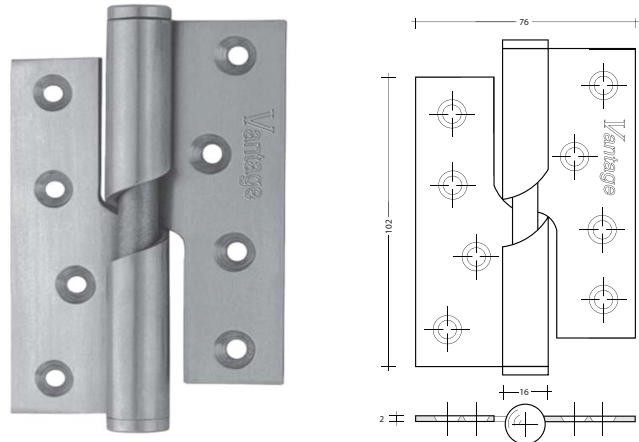
Quality Standards:
 BS EN 1935, grade 13, CE marked.

Fire Certificate:
 Fire Tested to BS 476: Part 22: 1987,
 Exova Warrington Certificate.
 ANSI A156.7 (Template Hinge Dimension).
 ANSI A156.18 (Materials & Finishes).



Rising Hinge 422.012.201

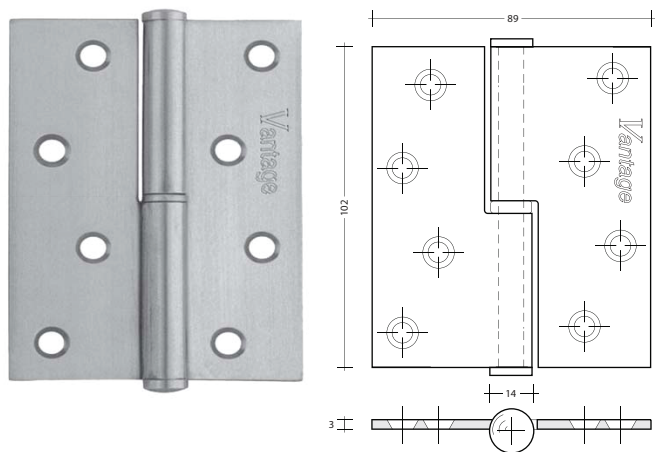
Height: 4/102 inches/mm
Width: 3/76 inches/mm
Thickness: 2 mm
Top & Bottom fixed tips
Base Material: Stainless Steel AISI 304.



For ordering specify LH or RH.

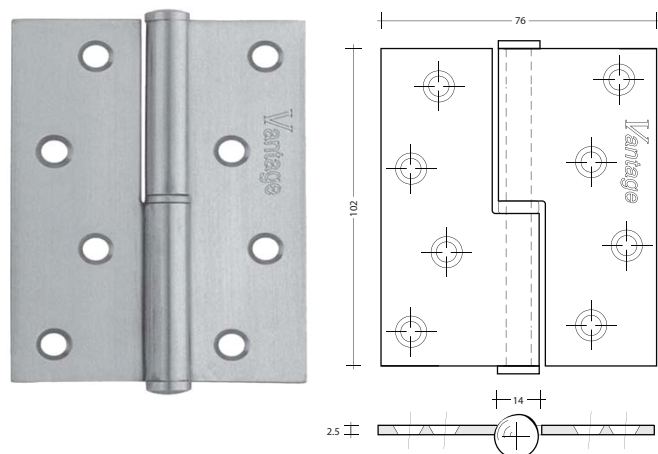
Lift off Hinge 420.014.201

Height: 4/102 inches/mm
Width: 3.5/89 inches/mm
Thickness: 3 mm
Top & Bottom fixed tips
Base Material: Stainless Steel AISI 304.



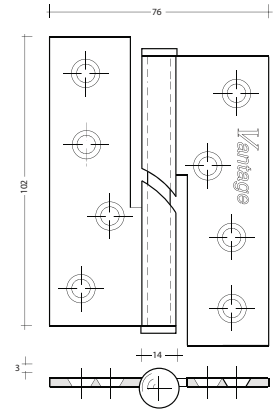
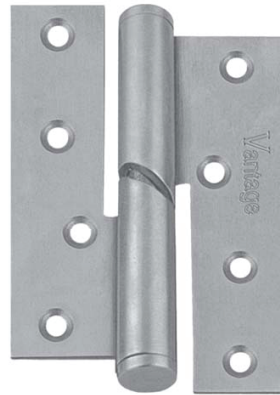
Lift off Hinge 420.012.201

Height: 4/102 inches/mm
Width: 3/76 inches/mm
Thickness: 2.5 mm
Top & Bottom fixed tips
Base Material: Stainless Steel AISI 304.



Falling Hinge 424.012.201

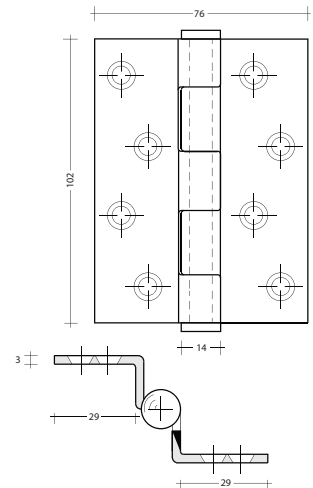
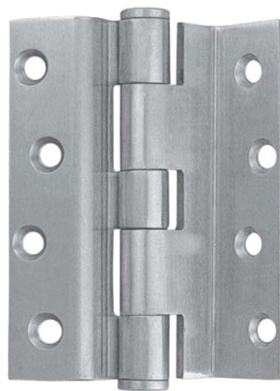
Height: 4/102 inches/mm
Width: 3/76 inches/mm
Thickness: 3 mm
Top & Bottom fixed tips
Base Material: Stainless Steel AISI 304.



For ordering specify LH or RH.

Swing Clear Hinge 440.012.201

Height: 4/102 inches/mm
Width: 3/76 inches/mm
Thickness: 3mm
Top & Bottom fixed tips
Base Material: Stainless Steel AISI 304.

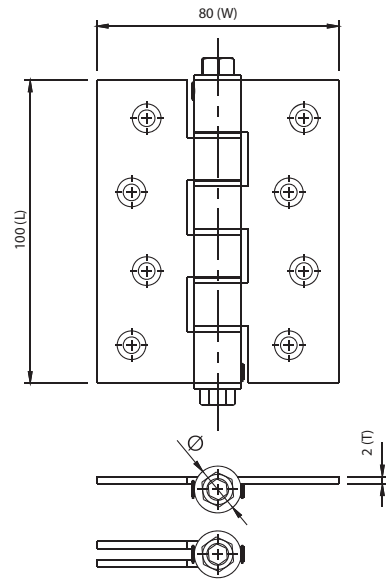


Single Action Spring Hinge- Heavy Duty 426.012.201

Height: 3.94/100 inches/mm
Width: 3.14/80 inches/mm
Thickness: 2 mm
Base Material: Stainless Steel AISI 304.
For door weight up to 60 kg.



L	W	T
100mm	80mm	2.0mm
150mm	80mm	2.0mm
180mm	80mm	2.0mm

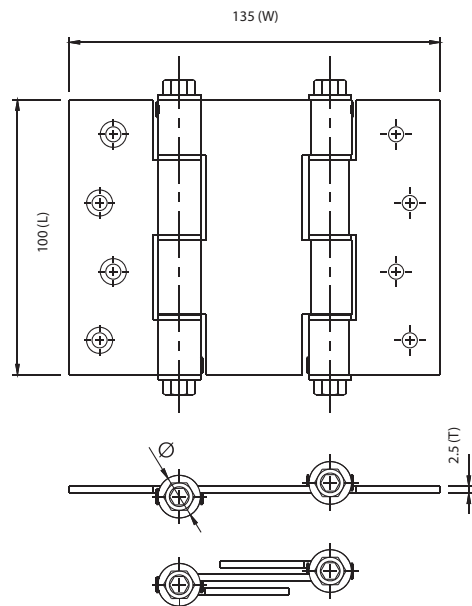


Double Action Spring Hinge- Heavy Duty 426.021.201

Height: 3.94/100 inches/mm
Width: 5.31/135 inches/mm
Thickness: 2.5 mm
Base Material: Stainless Steel AISI 304.
For door weight up to 60 kg.



L	W	T
100mm	135mm	2.5mm
150mm	135mm	2.5mm
180mm	135mm	2.5mm



Concealed Hinge

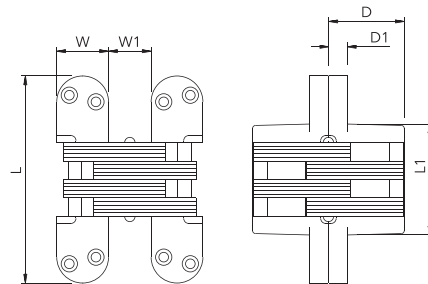
Base Material: Stainless Steel AISI 304.

Available Finishes: SSS for fire rated doors, or Zinc Alloy Casting

Zink Alloy Casting (Coated in high strength plated stainless steel for non-fire doors)

Quality Standards:

Fire Tested to BS 476: Part 22: 1987 (90 minutes) for SS base hinges.



For Fire Rated Doors

Article No.	L(mm)	L1(mm)	W (mm)	W1(mm)	D	D1
404.019.201	45	19	13	9	19.5	6
404.031.201	60	31	13	8	19.5	6
404.034.201	70	34	16	11	23.5	7.5
404.051.201	95	51	19	13	28	10.5
404.065.201	118	65	25	17	38	12
404.062.201	118	62	28	22	42	10.5
404.075.201	140	75	35	28	51	12

For Non-Fire Rated Doors

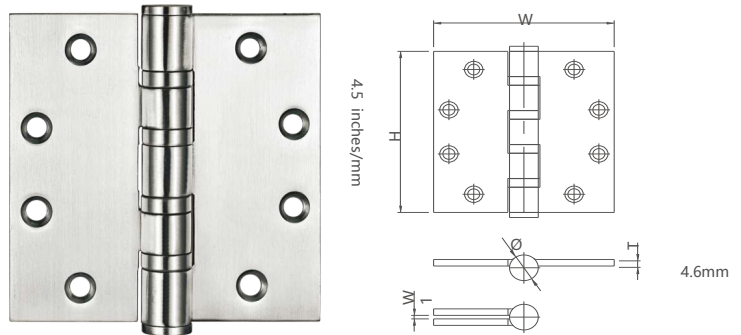
Article No.	L(mm)	L1(mm)	W (mm)	W1(mm)	D	D1
404.019.301	45	19	13	9	19.5	6
404.031.301	60	31	13	8	19.5	6
404.034.301	70	34	16	11	23.5	7.5
404.051.301	95	51	19	13	28	10.5
404.065.301	118	65	25	17	38	12
404.062.301	118	62	28	22	42	10.5
404.075.301	140	75	35	28	51	12

Butt Hinge 402.219.201

Height: 4.5 inches/mm
Width: 4.0 inches/mm
Thickness: 4.6 mm
Number of Bearings: 4
Top & Bottom fixed tips
Base Material: Stainless Steel .

Quality Standards:
 ANSI/BHMA A 156.1 Grade 1.

Fire Certificate:
 UL Listed

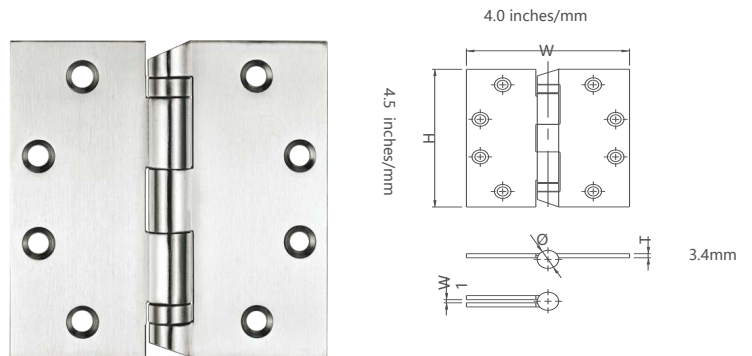


Butt Hinge 402.215.201

Height: 4.5 inches/mm
Width: 4.0 inches/mm
Thickness: 3.4 mm
Number of Bearings: 2
Top & Bottom fixed tips
Base Material: Stainless Steel .

Quality Standards:
 ANSI/BHMA A 156.1 Grade 2.

Fire Certificate:
 UL Listed

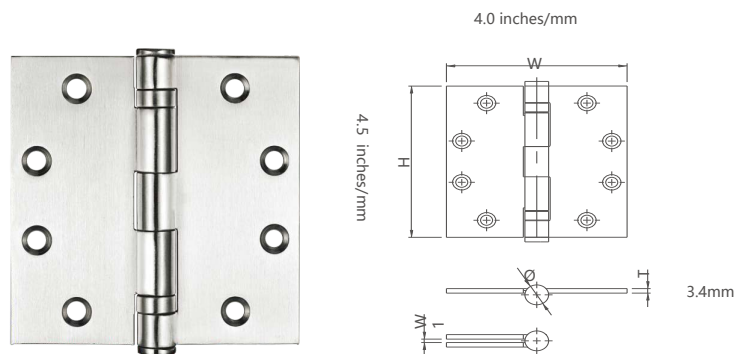


Butt Hinge 402.221.201

Height: 4.5 inches/mm
Width: 4.0 inches/mm
Thickness: 3.4 mm
Number of Bearings: 2
Top & Bottom fixed tips
Base Material: Stainless Steel .

Quality Standards:
 ANSI/BHMA A 156.1 Grade 2.

Fire Certificate:
 UL Listed

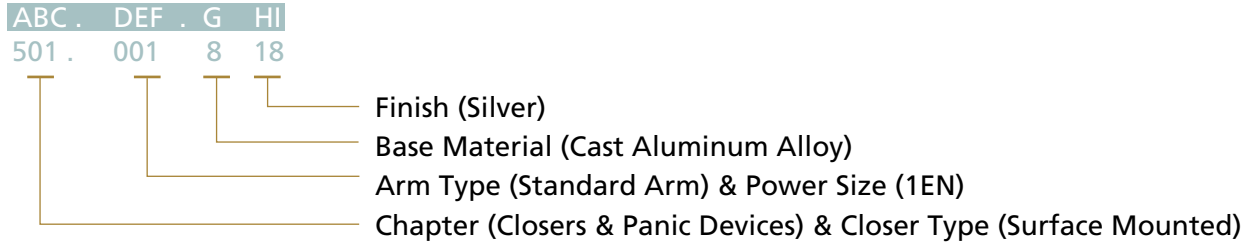
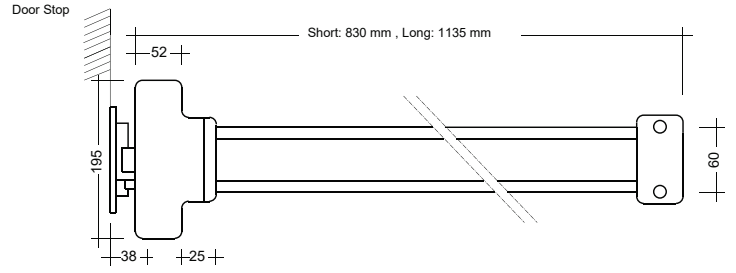
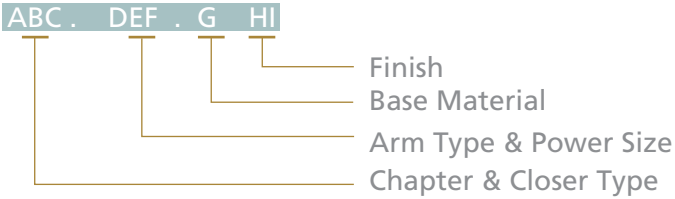


VANTAGE

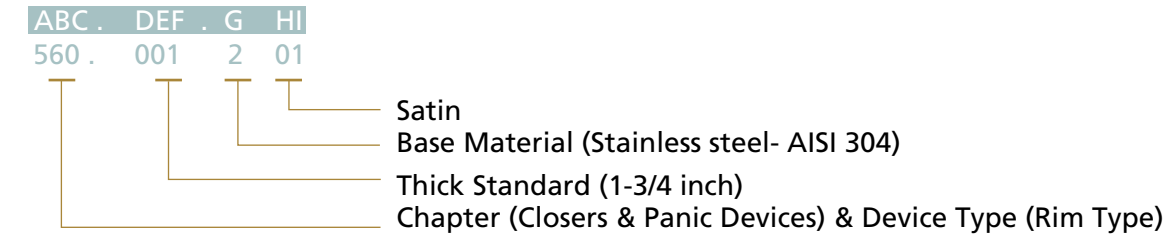
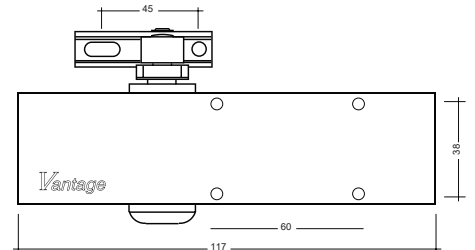


Closers & Panic Devices

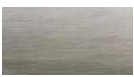

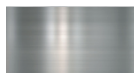

Closers Coding Detail:



Panic Devices Coding Detail:



Finishes :

-  01 Satin Stainless Steel
-  02 Polished Stainless Steel
-  16 Aluminium
-  18 Silver

Base Material Options :

1. Stainless Steel AISI 3
2. Stainless Steel AISI 3
3. Cast Iron 7
4. Aluminum Alloy 8

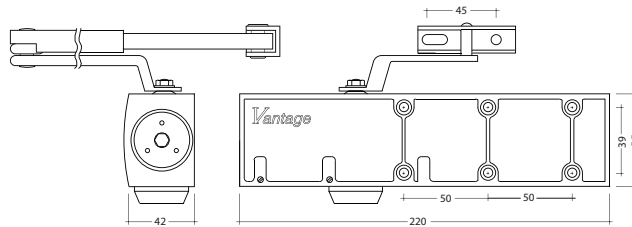
Door Closer FP 20

Features

Most Competitive Range Widespread Application
 The force setting is altered by selecting position of closer on the door without changing existing fixing holes.
 One closer provides 4 different power sizes - Save inventory cost.
 Adjustable Closing & Latching Speed - Thermo-constant Valve.
 Closing Speed adjustable (180°-15°)
 Adjustable Latching Action (15°- 0°)
 Non-handed Installation.

Quality Standards

Tested to meet EN 1154 and
 BS EN 1634



Article No.	Power Size	Max. Door Width (mm) Size	Max. Door Weight (KG)	Max. Opening Angle	Base Material	Finish
501.002.818	EN2	850	25-45	180°	Cast Alu. Alloy	Silver
501.003.818	EN3	950	40-65	180°	Cast Alu. Alloy	Silver
501.004.818	EN4	1100	60-85	180°	Cast Alu. Alloy	Silver
501.025.818	EN2-5	1250	25-120	180°	Cast Alu. Alloy	Silver

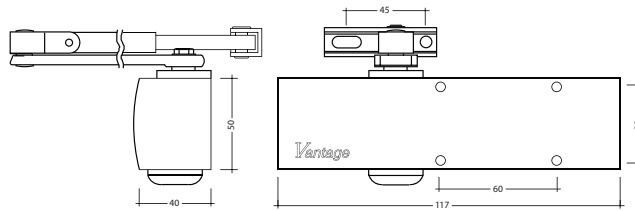
Door Closer FP 10

Features

Most Competitive Range Widespread Application
 One closer provides 3 different power sizes - Save inventory cost.
 Adjustable Closing & Latching Speed - Thermo-constant Valve.
 Closing Speed adjustable (180°-15°)
 Adjustable Latching Action (15°- 0°)
 Non-handed Installation.

Quality Standards

Tested to meet EN 1154 and
 BS EN 1634



Article No.	Power Size	Max. Door Width (mm) Size	Max. Door Weight (KG)	Max. Opening Angle	Base Material	Finish
501.002.818	EN2	850	25-45	180°	Cast Alu. Alloy	Silver
501.003.818	EN3	950	40-85	180°	Cast Alu. Alloy	Silver
501.004.818	EN4	1100	60-85	180°	Cast Alu. Alloy	Silver

VANTAGE

Door Closer

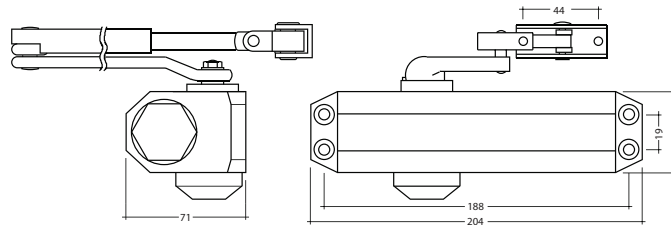
Door Closer FP 40

Features

One closer provides 2 different power sizes - Save inventory cost.
 Adjustable Closing & Latching Speed - Thermo-constant Valve.
 Closing Speed adjustable (180°-15°)
 Adjustable Latching Action (15°- 0°)
 Non-handed Installation.

Quality Standards

Tested to meet EN 1154 and
 BS EN 1634.



Article No.	Power Size	Max. Door Width (mm) Size	Max. Door Weight (KG)	Max. Opening Angle	Base Material	Finish
503.004.818	EN4	850	25-45	180°	Cast Alu. Alloy	Silver
503.005.818	EN5	950	40-65	180°	Cast Alu. Alloy	Silver

VANTAGE

Door Closer

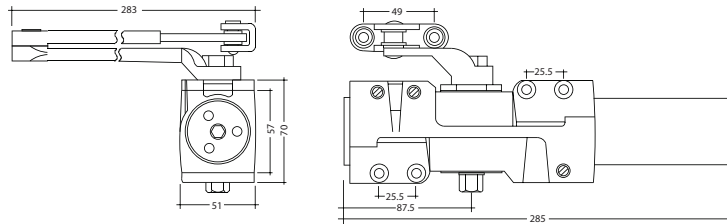
Door Closer FP 70

Features

For heavy and wide door leaf.
 One closer provides 6 different power sizes - Save inventory cost.
 Adjustable Closing & Latching Speed - Thermo-constant Valve.
 Closing Speed adjustable (180°-15°)
 Adjustable Latching Action (15°- 0°)
 Non-handed Installation.

Quality Standards

Tested to meet EN 1154 and
 BS EN 1634.



Article No.	Power Size	Max. Door Width (mm) Size	Max. Door Weight (KG)	Max. Opening Angle	Base Material	Finish
504.016.818	EN1-6	1400	15-150	180°	Cast Alu. Alloy	Silver

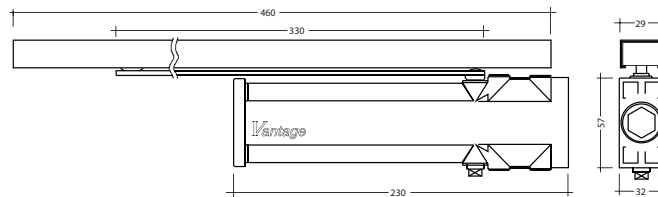
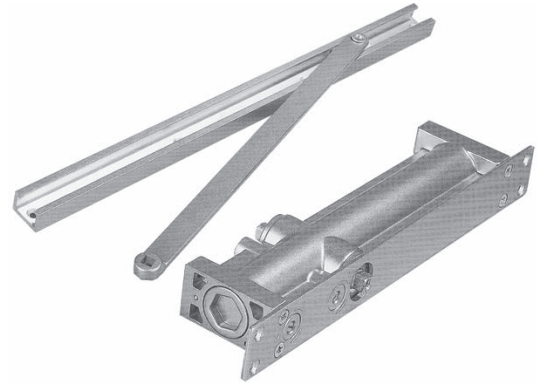
Concealed Door Closer FE 45

Features

- Slim & Non-Hand Design, Easy Installation
- Available in 3 different power sizes
- Easy & Accurate Adjustment
- Closing Speed adjustable (115°-15°)
- Ajdustable Latching Action (15°- 0°)
- Sliding Track Arm with Hold-Open Device
- Max. Opening Angle at 115°
- Non-Handed Installation

Quality Standards

Tested to meet EN 1154 and BS EN 1634.



Article No.	Power Size	Max. Door Width (mm) Size	Max. Door Weight (KG)	Max. Opening Angle	Base Material	Finish
501.002.818	EN2	850	25-45	115°	Cast Alu. Alloy	Silver
526.302.818	EN3	950	40-65	115°	Cast Alu. Alloy	Silver
526.303.818	EN4	1100	60-85	115°	Cast Alu. Alloy	Silver

Floor Spring FC 400

Features

Low Profile, Long Lasting & Maintenance Free Performance
 Available for Medium & Heavy Duty.
 Adjustable Closing Latching Speed.
 Closing Speed Adjustable (130° - 15°)
 Adjustable Latching Action (15° - 0°)

Quality Standards

ANSI G II Compliance.

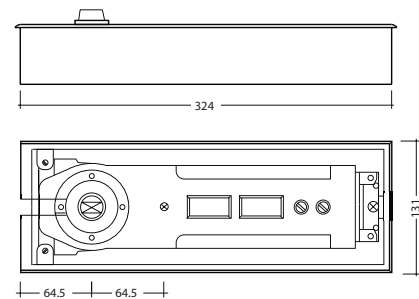


AVAILABLE FOR SINGLE ACTING DOOR

Power	Closing Force	Max. Door Width
EN3-Medium Duty	27Nm (13.7ft.-lbs.)	Max. 950mm (37.4°)
EN4-Heavy Duty	39Nm (28ft.-lbs)	Max. 1100mm (43.3°)

AVAILABLE FOR DOUBLE ACTING DOOR

Power	Closing Force	Max. Door Width
EN3-Medium Duty	27Nm (13.7ft.-lbs.)	Max. 950mm (37.4°)
EN4-Heavy Duty	39Nm (28ft.-lbs)	Max. 1100mm (43.3°)



Article No.	Power Size	Max. Opening Angle	Max. Door Weight (KG)	Base Material	Finish
541.027.701	Nm4	115°	25-45	Cast Iron	SSS
541.039.701	Nm5	115°	40-65	Cast Iron	SSS

VANTAGE

Rim Panic Device

Rim Type Panic Device 560.001.201

Features

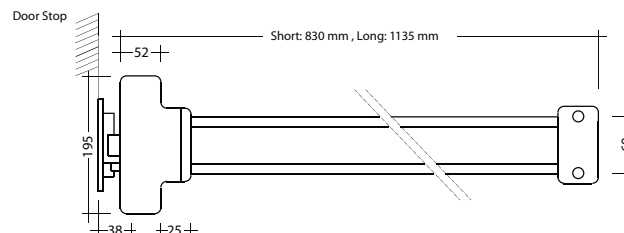
- Material:** Push bar of Stainless steel
Latch Bolt: 3/4" Threw, Stainless Steel.
Dead Latch Bolt: 5/8", Stainless Steel.
Strike: For 5/8" stop, Push Shim for 1/2" stop.
Projection: 2-1/2" Maximum, 1-7/8" Pressed.
Reversible: Non-Handed, Reversible for all Functions
For Door: 1 3/4" Thick standard, optional 2 1/4" Thick. 4 1/2" minimum stile width required for single or double door.
Backset: 2-3/4"
Door Width: 3 Standard for Door Width of 2'-6" to 3'-0" ; 4" Standard for Door Width of 3'-0" to 4'-0"
Stile: 4-1/4" Minimum.

Finishes:

SSS, Silver

Quality Standards

Fire Tested to BS 476: Part 22: 1987
Chiltern Fire Tested to BS 476: Part 22: 1987 for 120 minute.
Exova Warrington fire certificate.



VANTAGE

Rod Panic Device

Vertical Rod Panic Device 561.001.201

Features

The touchbar includes a dogging device as standard operated by the allen key supplied. All touchbars also have features such as pad fitting over the mechanism unit and the angle lip which prevent the units being jammed intentionally. The horizontal bar also includes cut outs to grip the unit to be able to pull the door shut after use. Both the single deadlocking latch units and the 3-point locking unit also include an anti-thrust. As supplied will suit door height up to 2440mm with special size available on request.

Finishes:

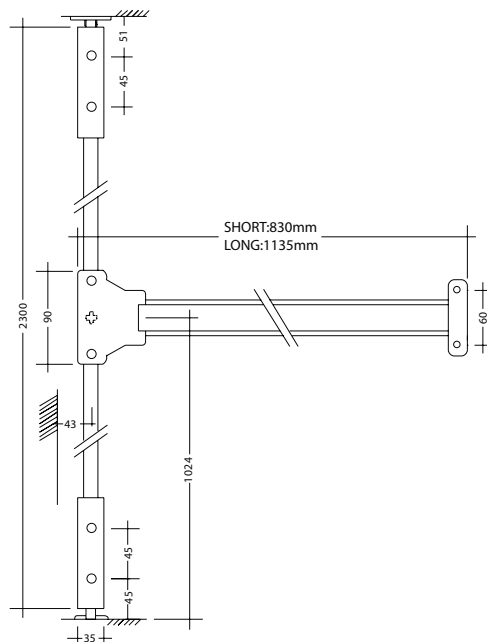
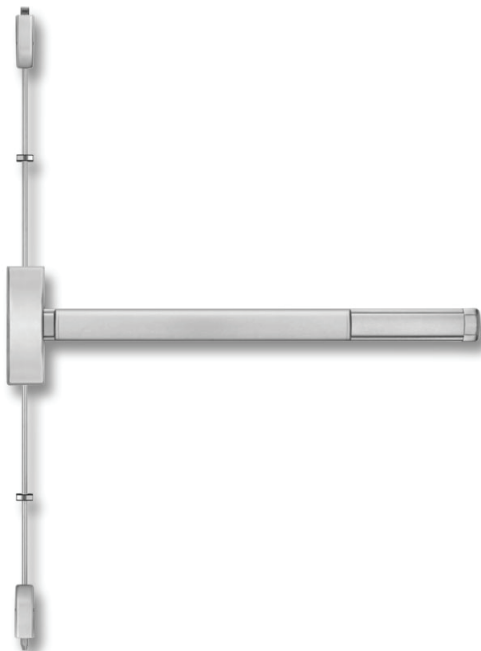
SSS, Silver

Quality Standards

Fire Tested to BS 476: Part 22: 1987

Chiltern Fire Tested to BS 476: Part 22: 1987
for 120 minute.

Exova Warrington fire certificate.



VANTAGE

External Trim

External Trim 567.001.414

Features

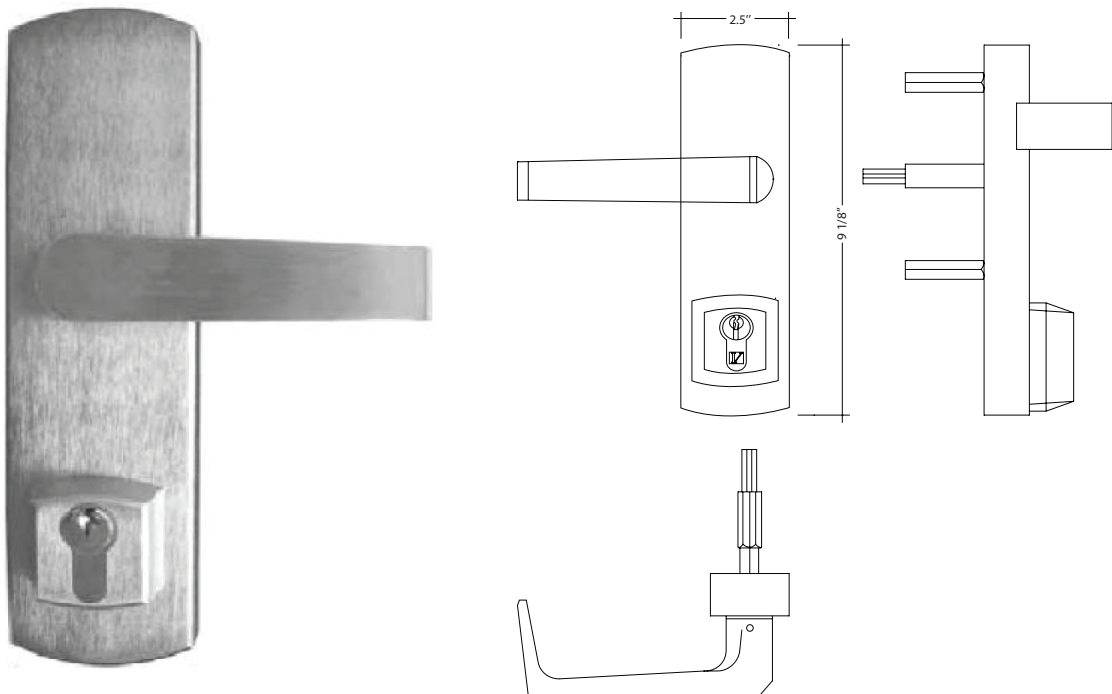
- Grade 1, thrubolted design, clutch freewheeling. Non-handed design, easily field reversible.
- Available for fire and non-fire rated rim and vertical rod exit devices.
- For 1 3/4" doors.
- 2-5/6" width, 8-1/2" length. Lever length 4-3/4".

Function:

Entrance ANSI function- 13, lever trim is lockable, lever locks or unlocks by key.

Finishes:

SC



VANTAGE

External Trim

External Trim 568.001.201

Features

Escutcheon: 1.9/48 inches/mm

Lever: 130mm (L) 22mm Dia.

Cylinder: 40mm half single cylinder

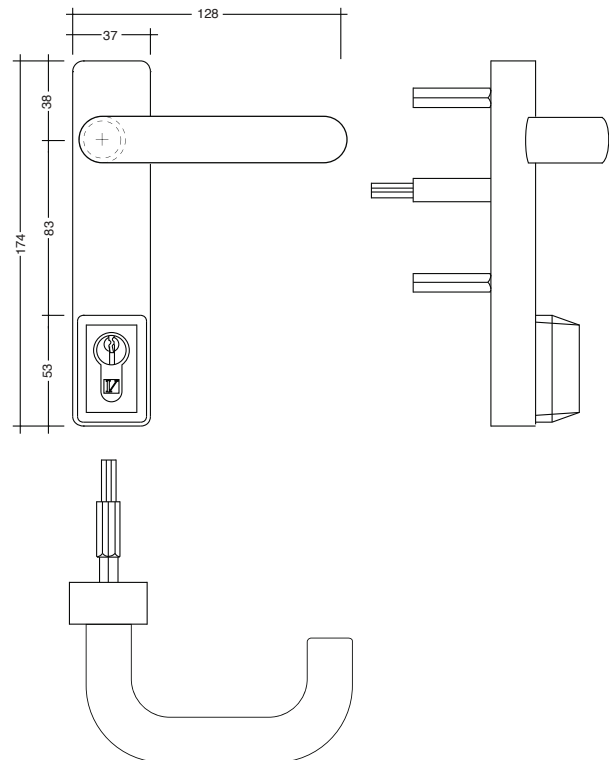
Door Thickness: Up to 50mm

Function:

Key lock or unlock lever

Finishes:

SSS



Push Pad Panic Latch 297

Classification No.	3	7	6	B	1	3	4	2	B	A
EN 179 : 2008										

Push Pad Panic Latch is a surface mounted rim latch for single and double door applications. Simply depressing the pad provides safe and speedy exit in the event of an emergency, whilst maintaining security against intrusion. An adapter for use with a rim cylinder for outside access is supplied as standard.

- Non-handed
- Fire rated for use on timber and steel doors
- Surface mounted
- Adapter supplied for operating with a rim cylinder



Reversible Panic Latch 296

Classification No.	3	7	6	B	1	3	2	2	A	A
EN 1125 : 2008										

Reversible Panic Latch is designed for single and double door applications. The unit is operated by a downward thrust of the cross bar to give a speedy exit in panic situations. An adapter for use with a rim cylinder for outside access is supplied as standard.

- Non-handed
- Fire rated for use on timber and steel doors
- Surface mounted
- Adapter supplied for operating with a rim cylinder
- Closed arm design



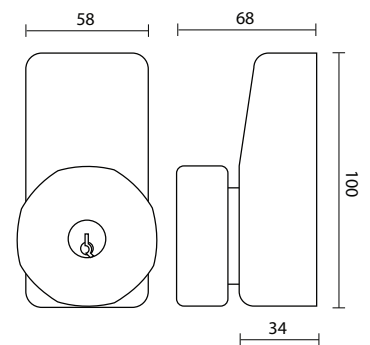
VANTAGE

Outside Access Devices

Knob Operated Outside Access Devices 298

298 Access Devices is an economical OAD supplied with 2 keys and a 5 pin cylinder which cannot be master keyed. Suitable for use with the Exidor 200 & 300 series bolts and latches, the Exidor 298 offers access from the outside of the door.

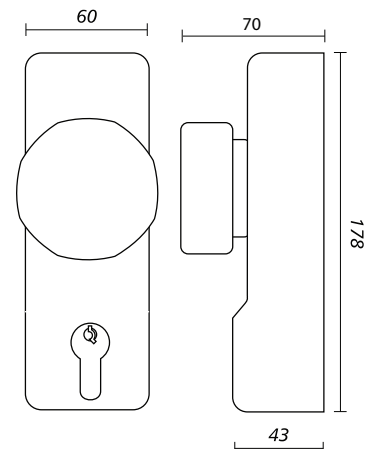
- Non-handed
- Fire rated for use on timber and steel doors
- Surface mounted on the outside of the door using concealed machine screws
- Supplied as standard for doors up to 60mm thick.
- Longer spindles and screws are available on request for door thicknesses over 60mm.



Knob Operated Outside Access Devices 302

Options available

- 302EA outside access device with Euro profile aperture
- 302EC outside access device supplied with Euro cylinder
- 302OA outside access device with oval profile aperture
- 302OC outside access device supplied with oval cylinder
- 302KA outside access device with Kaba profile aperture
- 302EC/RK outside access device with key retention supplied with Euro cylinder
- 302EA/RK outside access device with key retention with Euro profile aperture



Push Pad Emergency Exit Latch 501

Classification No.	3	7	6	B	1	3	2	2	B	A
EN 179 : 2008										

- 501-P Push Pad Emergency Exit Latch For Wooden Doors**
- 501-P/AD Push Pad Emergency Exit Latch For Aluminium Doors**

The Exidor 501-P is a surface mounted rim latch for single and double door applications. The slimline 38mm wide footprint makes it particularly suitable for use on doors with narrow stiles. Simply depressing the pad provides safe and speedy exit in the event of an emergency, whilst maintaining security against intrusion. Combining smooth stylish lines with the excellence of British engineering and a high quality powder coated finish ensures the 501-P is stylish enough for use in the most prestigious buildings with integrated interiors.

- Non-handed
- CE marked for safety
- Surface mounted
- 38mm wide footprint
- Suitable for doors with narrow stiles
- Standard colours: silver, white with green push pad and black with red push pad
- Available in most RAL colours



Push Pad Emergency Exit Bolt

Classification No.	3	7	6	B	1	3	2	2	A	A
EN 1125 : 2008										

- 502A-P Push Pad Emergency Exit Bolt For Wooden Doors**
- 502A-P/AD Push Pad Emergency Exit Bolt For Aluminium Doors**
- 502A-P/UD Push Pad Emergency Exit Bolt For uPVC Doors**

The Exidor 502A-P is an elegant and highly functional emergency exit bolt for single and double door applications. Incorporated as standard is an automatic top trip. The main body is fitted with an anti-thrust device, which prevents leverage of both the top and bottom shoot bolts from their sockets.

- Non-handed
- CE marked for safety
- Surface mounted
- 38mm wide footprint
- Suitable for doors with narrow stiles
- Standard colours: silver, white with green push pad and black with red push pad
- Available in most RAL colours



VANTAGE

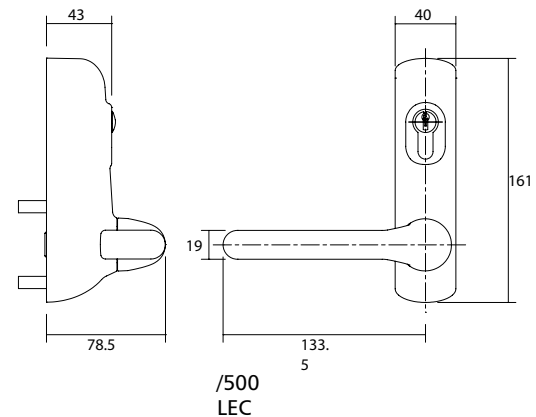
Outside Access Devices

Lever Operated Outside Access Device 500/L

The Exidor 500/L offers a lever operated outside access device that meets the dimensional requirements of the Equality Act 2010 (formerly known as the DDA) and BS8300 –Approved . “Document “M

The 500/L is supplied with three keys, and has the advantage that a master keyed 40mm Euro profile cylinder can be used. Suitable for use with the Exidor 500 series, the 500/L offers access from the outside of the door

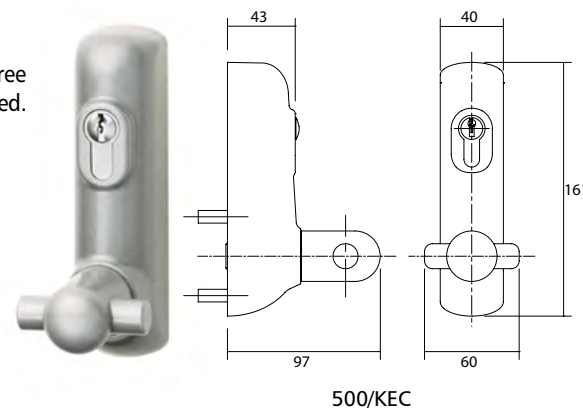
- Non-handed
- Meets the dimensional requirements of BS8300 and approved document “M”
- Surface mounted on the outside of the door using two/three machine screws
- Same fixing points as the 500/K – easy retro fit
- Supplied as standard for doors up to 55mm thick



Knob Operated Outside Access Device 500/K

The Exidor 500/K offers a Knob operated outside access device that is supplied with three keys and has the advantage that a master keyed 40mm Euro profile cylinder can be used. Suitable for use with the Exidor 500 series, the 500/K offers access from the outside of the door

- Non-handed
- Surface mounted on the outside of the door using two/three machine screws
- Same fixing points as the 500/L – easy retro fit
- Supplied as standard for doors up to 55mm thick



Door Coordinator 571.002.201

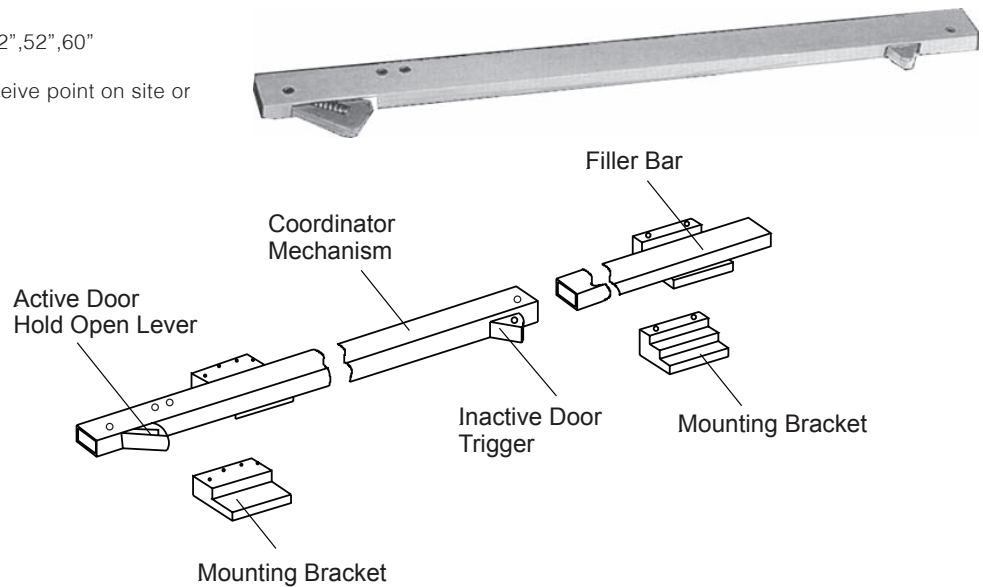
Features

Door closing order regulator, to be used for a pair of fire doors to ensure that closing of the doors takes place in fixed order.

Mechanism length:: 32",42",52",60"

Stop Width: 1/2"-1/8"

Base Material: Steel to receive point on site or Aluminium Silver color.

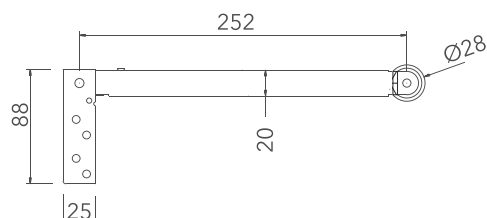


Door Coordinator/Selector 572.002.201

Features

Door closing order regulator, to be used for a pair of fire doors to ensure that closing of the doors takes place in fixed order.

Base Material: Aluminium Silver color.



VANTAGE

Flush Bolt

Flush Bolt 601.003.201

For Steel doors

Length (L): 170,200,250,300 mm.

Width: 25 mm

Base Material: Brass, Stainless Steel

Finish: SC, PB, BZ, SS

Available Lengths: 150mm,200mm,250mm,300mm

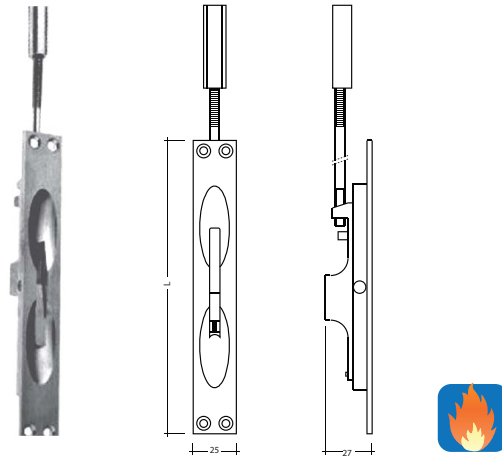
Quality Standards (For S.S. flush bolt):

Fire Tested to BS 476: Part 22: 1987

Exova Warrington fire certificate

To order, please add length to the item code number

e.g.: 601.003.201 - 200mm



Flush Bolt 602.005.201

For Wooden doors

Length (L): 150,200,250,300 mm.

Width: 25 mm

Base Material: Brass, Stainless Steel

Finish: SC, PB, BZ, SS

Available Lengths: 150mm,200mm,250mm,300mm

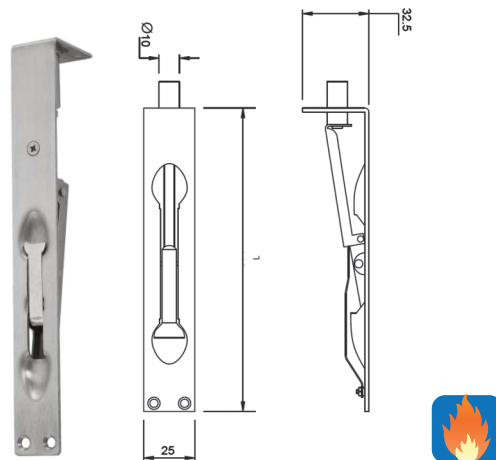
Quality Standards (For S.S. flush bolt):

Fire Tested to BS 476: Part 22: 1987

Exova Warrington fire certificate

To order, please add length to the item code number

e.g.: 601.006.201 - 300mm.



Automatic Flush Bolt 603.010.201

Face Plate: 1" x 6-3/4" (25mm x 172mm)

Bolt Head: 1/2" (12.5mm)

Bolt Throw: 3/4" (19mm)

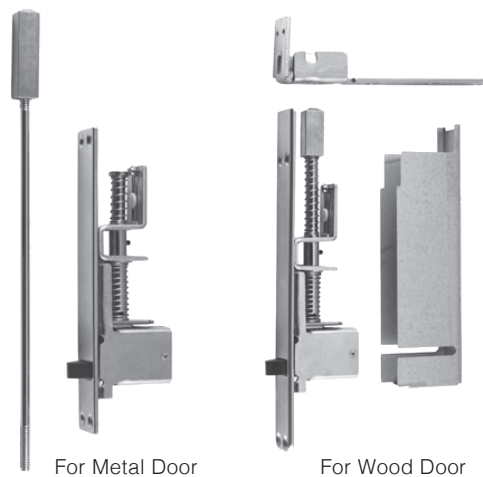
Non-Handed

Finish: SSS.

Packing: Two bolts per set in box

Note: Use in pair, at the top and bottom of inactive door leaf.

For Doors of: 4"x8", 4"x9"



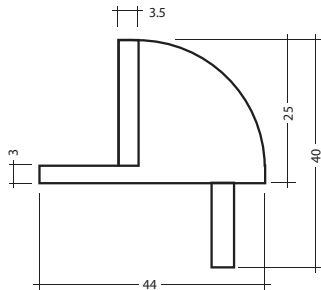
VANTAGE

Floor Door Stops

Floor Door Stop 611.201



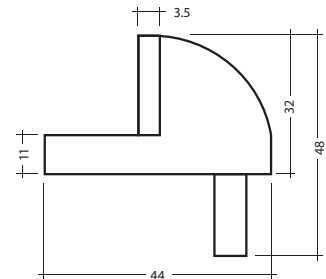
Diameter: Ø44mm
Height: 25mm
Base Material: Stainless Steel AISI 304.
Available Finishes: SSS,PSS, PB, BZ.



Floor Door Stop 612.201



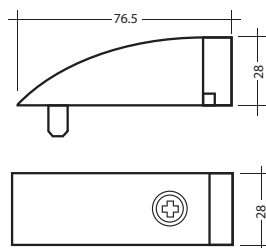
Diameter: Ø44mm
Height: 32mm
Base Material: Stainless Steel AISI 304.
Available Finishes: SSS,PSS, PB, BZ.



Floor Door Stop 613.201



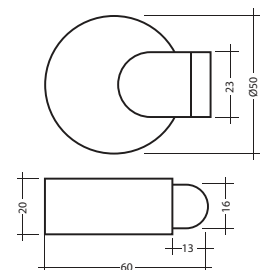
Length: 76.5mm
Height: 28mm
Width: 28mm
Base Material: Stainless Steel AISI 304.
Available Finishes: SSS,PSS, PB, BZ.



Floor Door Stop 614.201



Diameter: Ø50mm
Height: 20mm
Base Material: Stainless Steel AISI 304.
Available Finishes: SSS,PSS, PB, BZ.



To order the required finish change the (201) to the required material and finish.

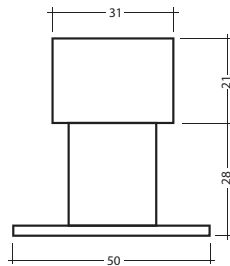
VANTAGE

Door Stops

Wall Door Stop 619.201



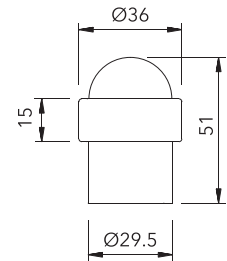
Diameter: Ø31mm
Length: 49mm
Base Material: Stainless Steel AISI 304.
Available Finishes: SSS,PSS, PB, BZ.



Floor Door Stop 620.201



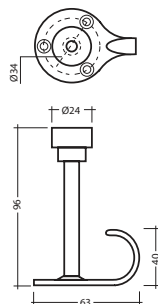
Diameter: Ø36mm
Height: 51mm
Base Material: Stainless Steel AISI 304.
Available Finishes: SSS,PSS, PB, BZ.



Wall Door Stop 621.201



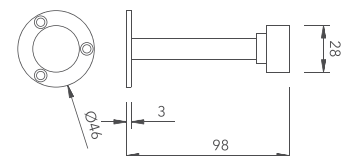
Diameter: Ø24mm
Length: 96mm
Base Material: Stainless Steel AISI 304.
Available Finishes: SSS,PSS, PB, BZ.



Floor Door Stop 622.201



Diameter: Ø27.5mm
Length: 98mm
Base Material: Stainless Steel AISI 304.
Available Finishes: SSS,PSS, PB, BZ.



To order the required finish change the (201) to the required material and finish.

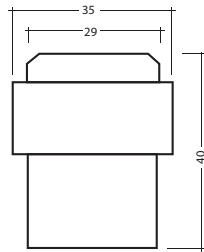
VANTAGE

Floor Door Stops

Floor Door Stop 615.201



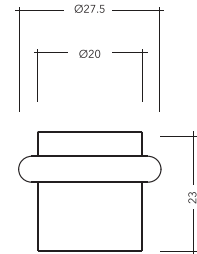
Diameter: Ø35mm
Height: 40mm
Base Material: Stainless Steel AISI 304.
Available Finishes: SSS,PSS, PB, BZ.



Floor Door Stop 616.201



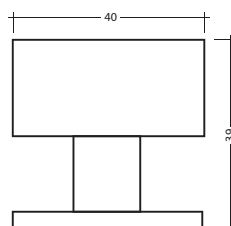
Diameter: Ø27.5mm
Height: 23mm
Base Material: Stainless Steel AISI 304.
Available Finishes: SSS,PSS, PB, BZ.



Floor Door Stop 617.201



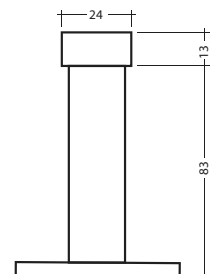
Diameter: Ø40mm
Height: 39mm
Base Material: Stainless Steel AISI 304.
Available Finishes: SSS,PSS, PB, BZ.



Wall Door Stop 618.201

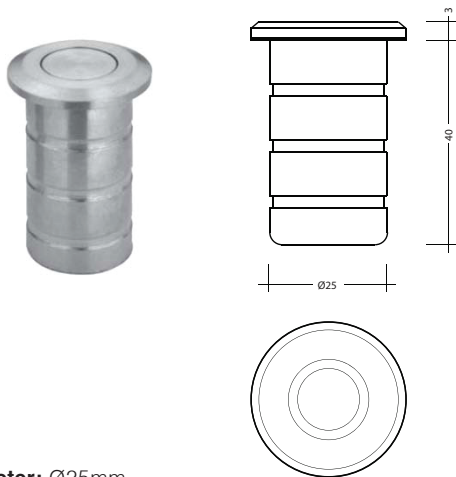


Diameter: Ø24mm
Length: 96mm
Base Material: Stainless Steel AISI 304.
Available Finishes: SSS,PSS, PB, BZ.



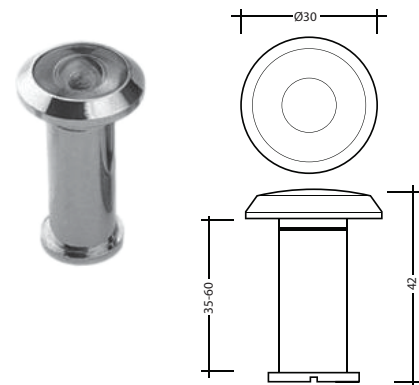
To order the required finish change the (201) to the required material and finish.

Dust Proof Socket 606.201



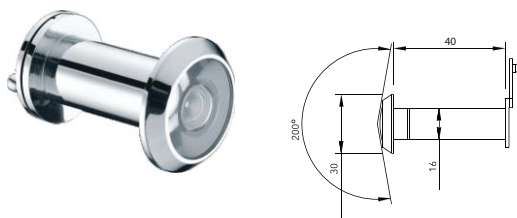
Diameter: Ø25mm
Height: 40mm
Base Material: Stainless Steel AISI 304.

607.415



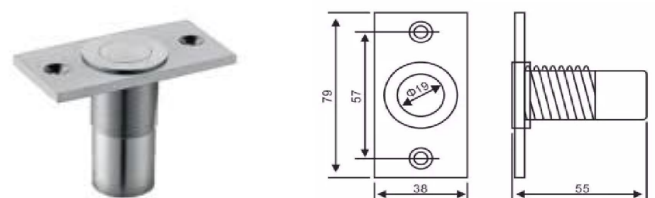
Diameter: Ø30mm
For Door Thickness: 42 - 56mm
Door View Angel: 180°
Base Material: Brass
Available Finishes: SC, CP, NP, SNP, BZ, PB, DBZ.

Door Eye Viewer 608.415



Diameter: Ø30mm
For Door Thickness: 42 - 56mm
Door View Angel: 180°
Base Material: Brass
Available Finishes: SC, CP, NP, SNP, BZ, PB, DBZ.

Dust Proof Socket 607.201

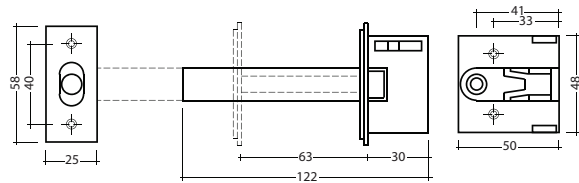
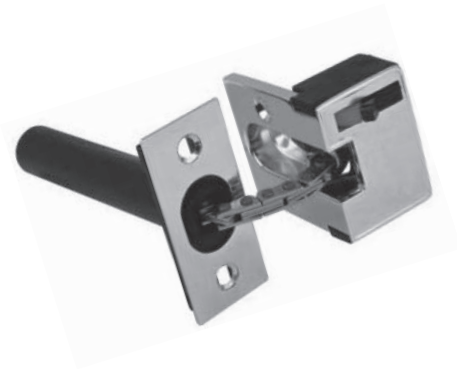


Diameter: Ø19mm
Height: 55mm
Base Material: Stainless Steel AISI 304.

To order the required finish change the (201) to the required material and finish.

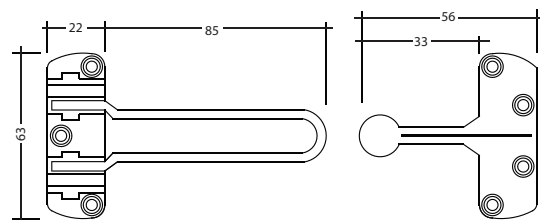
Door Chain 641.415

Chain Length: 122mm
Width: 48mm
Base Material: Brass
Available Finishes: SC, CP



Door Security Guard 642.415

Length: 85mm
Width: 63mm
Base Material: Brass
Available Finishes: PB, BZ, SC, CP



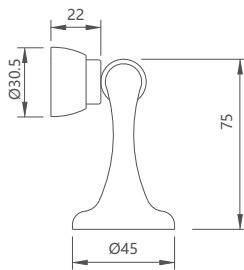
VANTAGE

Door Holder

623.201



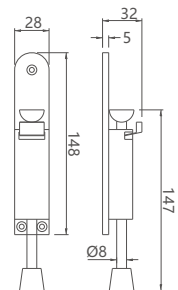
Mounted on floor
Material : Stainless steel /brass/zinc alloy



624.201



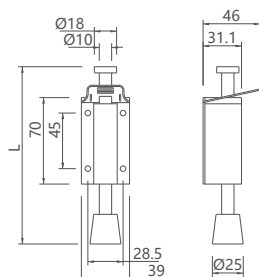
Mounted on floor
Material : Stainless steel / zinc alloy



625.201



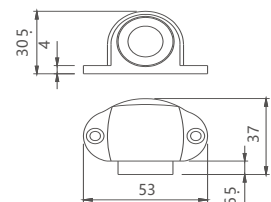
Mounted on floor
Material : Stainless steel



626.201



Mounted on floor
Material : Stainless steel / Zinc alloy



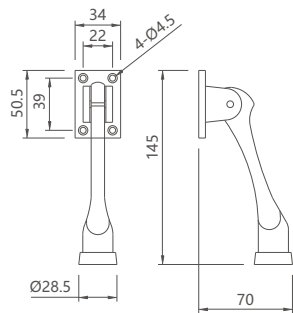
VANTAGE

Door Holder

627.201



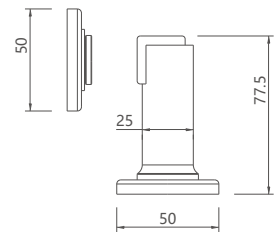
Mounted on floor
Material : Stainless steel /brass



628.201

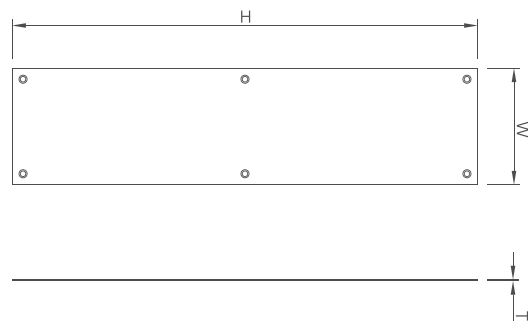
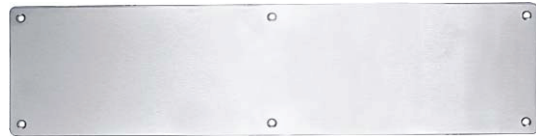


Mounted on floor
Material : Stainless steel / zinc alloy



Kick Plate KP- Ψ xHxTH

Height: (H)mm
Width: (W)mm
Thickness: (TH)mm (1mm, 1.2mm, 1.5mm)
Base Material: Stainless Steel AISI 304.
 With counter sunk for fixing and round corners.
Available Thicknesses: 0.9mm, 1mm, 1.2mm, 1.5mm.
Available Finishes: SSS, PSS.



To order, please specify three dimensions after KP-

WC Plates

Base Material: Stainless Steel AISI 304.
Available Finishes: SSS.



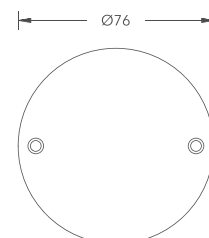
643



644



645



VANTAGE